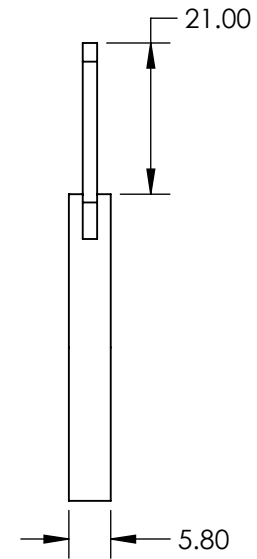
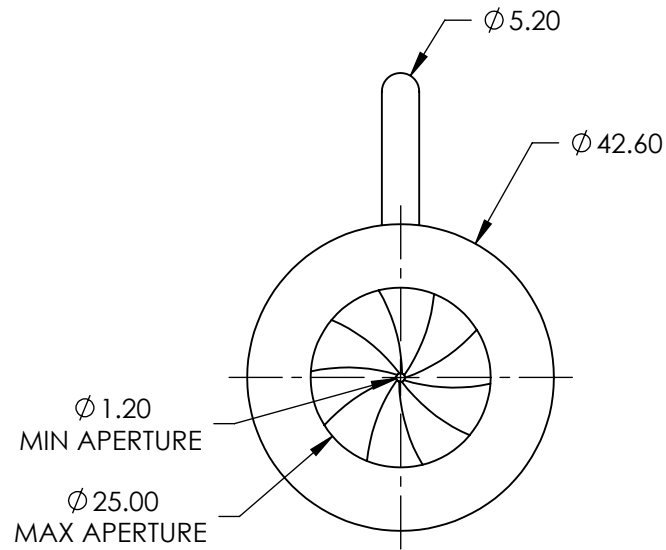


NOTES:

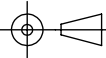
1. CONSTRUCTION:
Brass Housing, Blue Tempered Steel Leaves
2. NUMBER OF LEAVES: 10
3. ROHS: COMPLIANT



SPECIFICATIONS SUBJECT TO CHANGE WITHOUT NOTICE
 DIMENSIONS ARE FOR REFERENCE ONLY

**FOR INFORMATION ONLY:
 DO NOT MANUFACTURE
 PARTS TO THIS DRAWING**

EO[®] Edmund Optics[®]

THIRD ANGLE PROJECTION 		TITLE	IRIS DIAPHRAGM 42.0mm DIA.	
ALL DIMS IN	mm	DWG NO	40997	SHEET 1 OF 1