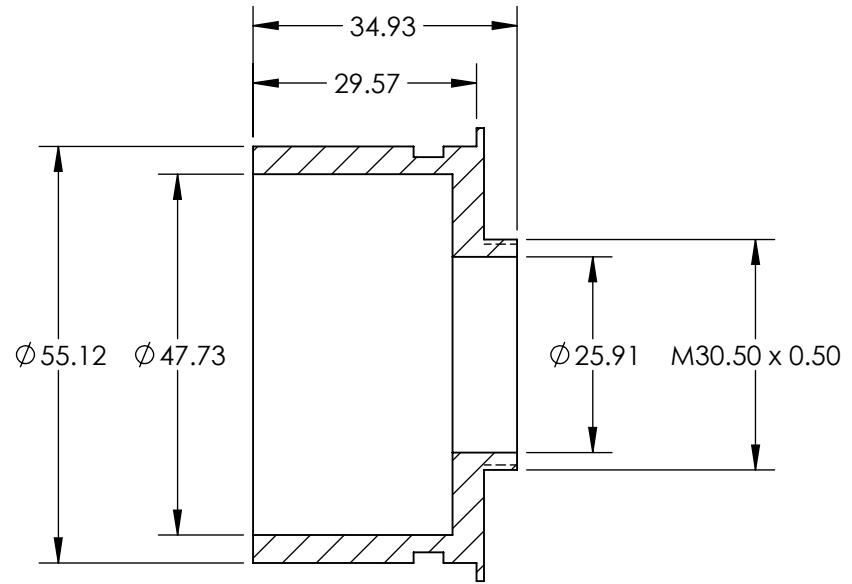
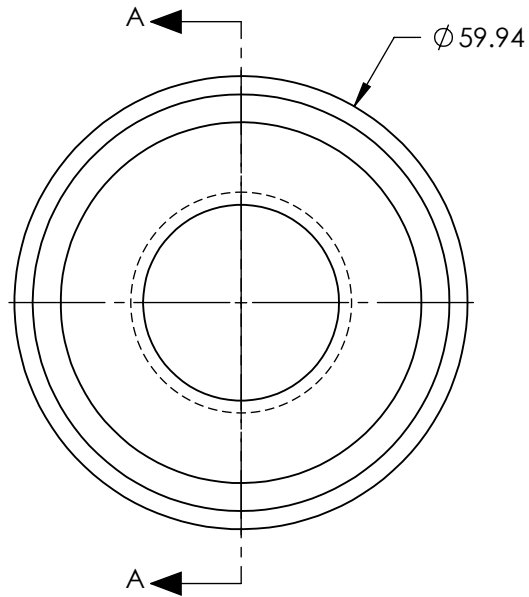
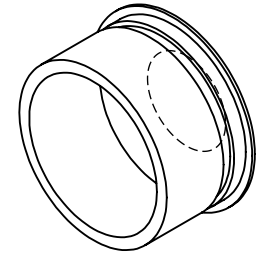


NOTES:

1. MATERIAL: BLACK ANODIZED ALUMINUM
2. RoHS: COMPLIANT



SECTION A-A

SPECIFICATIONS SUBJECT TO CHANGE WITHOUT NOTICE
 DIMENSIONS ARE FOR REFERENCE ONLY

**FOR INFORMATION ONLY:
 DO NOT MANUFACTURE
 PARTS TO THIS DRAWING**



| | | | | |
|------------------------|----|--------|---|-----------------|
| THIRD ANGLE PROJECTION | | TITLE | M30.5 x 0.5 THREAD, RING LIGHT FILTER THREAD ADAPTER | |
| ALL DIMS IN | mm | DWG NO | 56089 | SHEET 1 OF 1 |