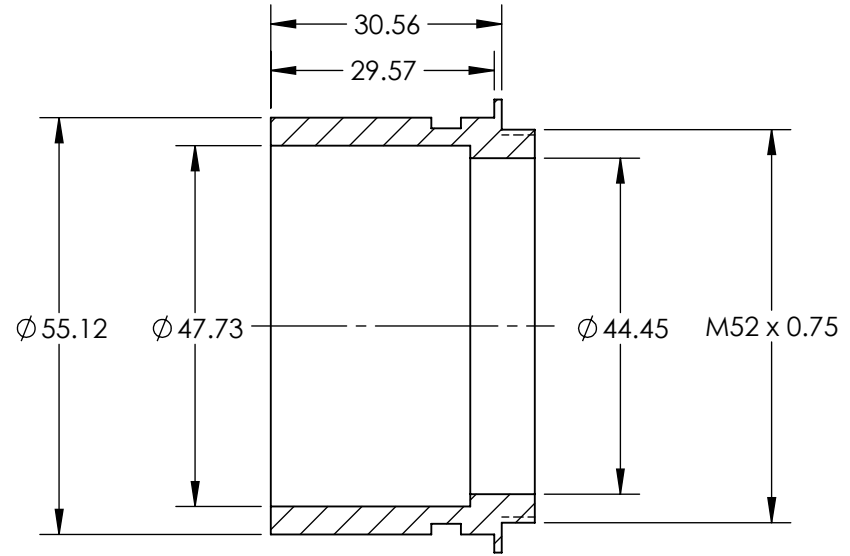
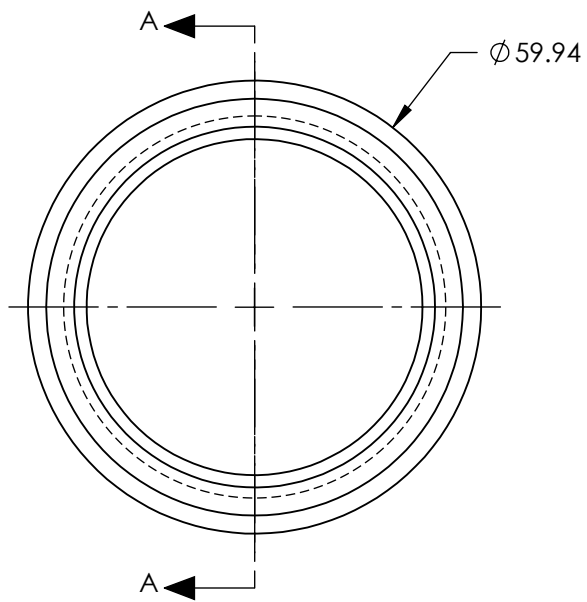
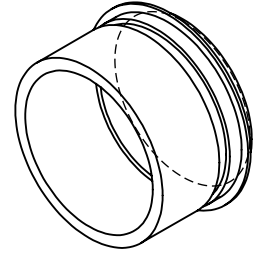


NOTES:

1. MATERIAL: BLACK ANODIZED ALUMINUM
2. RoHS: COMPLIANT

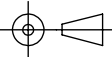


SECTION A-A

SPECIFICATIONS SUBJECT TO CHANGE WITHOUT NOTICE  
DIMENSIONS ARE FOR REFERENCE ONLY



**FOR INFORMATION ONLY:  
DO NOT MANUFACTURE  
PARTS TO THIS DRAWING**

|  |    |        |   |              |
|--|----|--------|---|--------------|
| THIRD ANGLE PROJECTION  |    | TITLE  | M52 x 0.75 THREAD, RING LIGHT FILTER THREAD ADAPTER |              |
| ALL DIMS IN  | mm | DWG NO | 56097   | SHEET 1 OF 1 |