

NOTES:

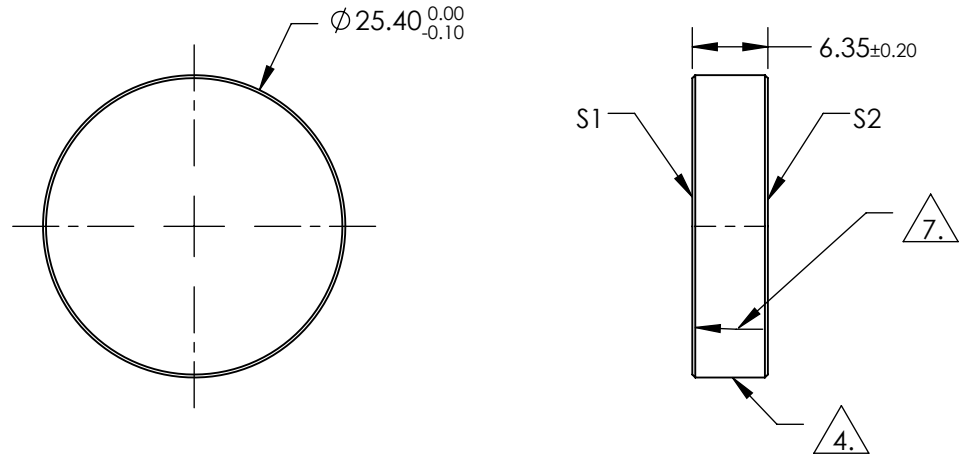
1. SUBSTRATE  
FUSED SILICA
2. SURFACE S2 TO BE PARALLEL TO SURFACE S1 TO WITHIN <3 ARCMIN
3. COATING (APPLY ACROSS COATING APERTURE):

S1: 343 HR Coating  
R (ABS) > 99.80% @ 343nm @ 0-45° AOI

DAMAGE THRESHOLD,  
PULSED: 5 J/cm<sup>2</sup>, 20ns, 20Hz @ 343nm  
CW: 1MW/cm<sup>2</sup> @ 343nm

S2: NONE

4. FINE GRIND SURFACE
5. POWER, IRREGULARITY, AND SURFACE QUALITY SPECIFICATIONS APPLY ACROSS CLEAR APERTURE
6. CLEAR APERTURE AND COATING APERTURE ARE CENTERED ON SURFACES
7. APPLY ARROW ON EDGE WITH LASER ETCH, PENCIL, OR PERMANENT INK POINTING TOWARDS SURFACE S1



**FOR INFORMATION ONLY:  
DO NOT MANUFACTURE  
PARTS TO THIS DRAWING**

SPECIFICATIONS SUBJECT TO CHANGE WITHOUT NOTICE  
DIMENSIONS ARE FOR REFERENCE ONLY

	S1	S2
SHAPE	PLANO	PLANO
SURFACE QUALITY	10-5	COMMERCIAL POLISH
SURFACE FLATNESS	0.10 WAVE	N/A
MIN CLEAR APERTURE	Ø22.86	N/A
MIN COATING APERTURE	Ø22.86	N/A
BEVEL	PROTECTIVE AS NEEDED	PROTECTIVE AS NEEDED

THIRD ANGLE PROJECTION	
ALL DIMS IN	mm

Edmund Optics®	
TITLE	Ø25.4mm x 6.35mm, 343nm, Yb:YAG MIRROR 0-45° AOI
DWG NO	38853
SHEET 1 OF 1	