

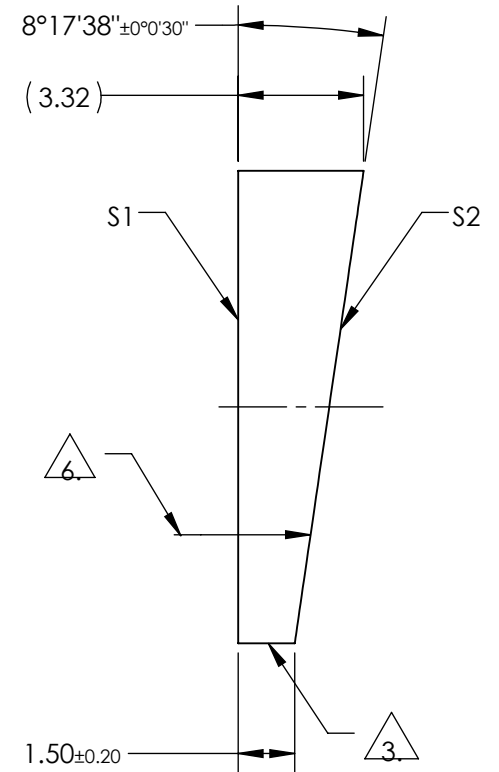
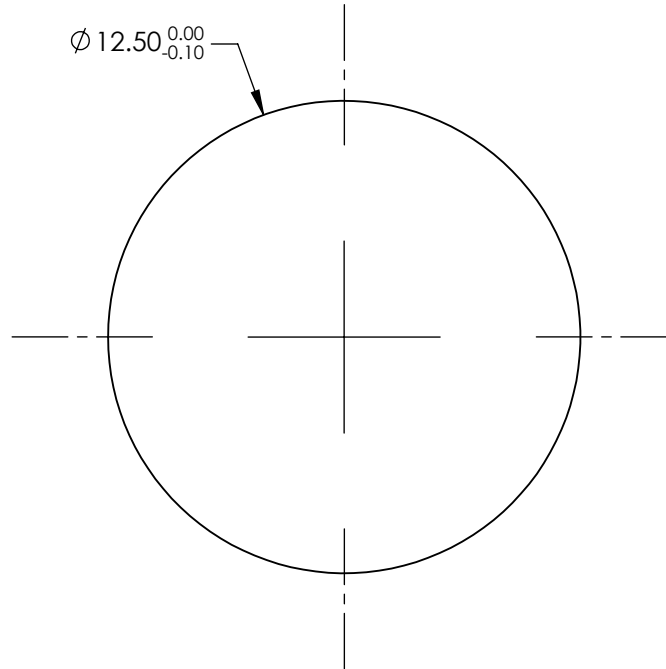
NOTES:

1. SUBSTRATE:
FUSED SILICA
2. COATING (APPLY ACROSS COATING APERTURE)

S1 & S2: 532nm Laser AR Coating
R(ABS) < 0.25% @ 532nm @ 0° AOI

DAMAGE THRESHOLD,
PULSED: 10J/cm² @ 20ns, 20Hz @ 532nm

3. FINE GRIND SURFACE
4. POWER, IRREGULARITY, AND SURFACE QUALITY SPECIFICATIONS APPLY ACROSS CLEAR APERTURE
5. IMAGE ORIENTATION: BEAM DEVIATION
6. APPLY ARROW ON EDGE WITH PENCIL OR PERMANENT INK POINTING TOWARDS TITLED SURFACE S2
7. ROHS COMPLIANT



**FOR INFORMATION ONLY:
DO NOT MANUFACTURE
PARTS TO THIS DRAWING**

SPECIFICATIONS SUBJECT TO CHANGE WITHOUT NOTICE
DIMENSIONS ARE FOR REFERENCE ONLY

	S1	S2
SHAPE	PLANO	PLANO
SURFACE QUALITY	20-10	20-10
MIN CLEAR APERTURE	Ø11.25	Ø11.25
MIN COATING APERTURE	Ø11.25	Ø11.25
POWER AT 632.8nm	0.5 RINGS	0.5 RINGS
IRREGULARITY AT 632.8nm	0.2 RINGS	0.2 RINGS
BEVEL	PROTECTIVE AS NEEDED	PROTECTIVE AS NEEDED

EO® Edmund Optics®



ALL DIMS IN

mm

TITLE

PRISM WEDGE FS 4 DEG 12.5mm 532nm

DWG NO

39094

SHEET
1 OF 1