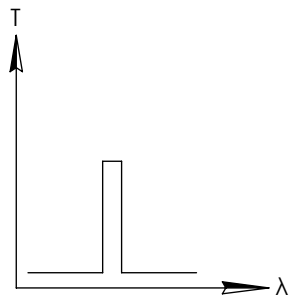
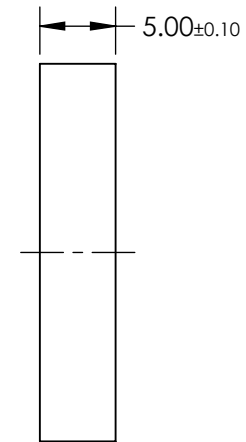
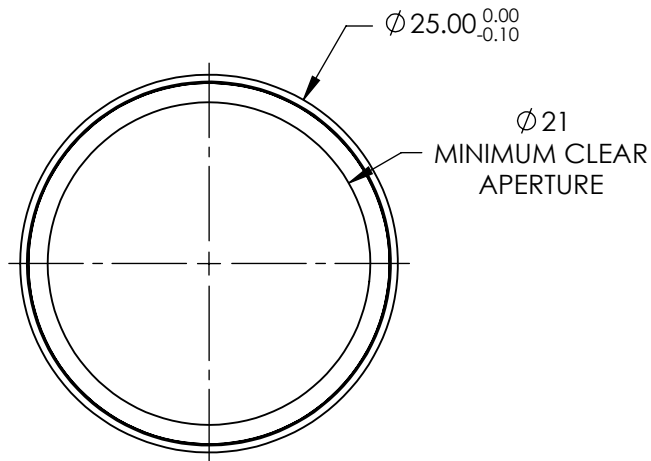
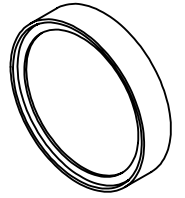


**FOR INFORMATION ONLY:  
DO NOT MANUFACTURE  
PARTS TO THIS DRAWING**



BANDPASS FILTER

REV. A	VALUE
CENTER WAVELENGTH (CWL)	343nm $\pm$ 1nm
FULL WIDTH HALF MAX (FWHM)	5.0 $\pm$ 1nm
MINIMUM TRANSMISSION	$\geq$ 85%
BLOCKING	200 - 1200nm
SURFACE QUALITY	80-50
CONSTRUCTION	MOUNTED IN BLACK ANODIZED ALUMINUM RING
COATING TYPE	HARD COATED
DURABILITY	MIL-C-48497a, SEC 3.4.1
ENVIRONMENTAL	MIL-STD-810F, SEC 507.4

SPECIFICATIONS SUBJECT TO CHANGE WITHOUT NOTICE  
DIMENSIONS ARE FOR REFERENCE ONLY



THIRD ANGLE PROJECTION		TITLE	343nm CWL, 25mm Dia., Hard Coated OD4 5nm Bandpass Filter	
ALL DIMS IN	mm	DWG NO	39343	SHEET 1 OF 1