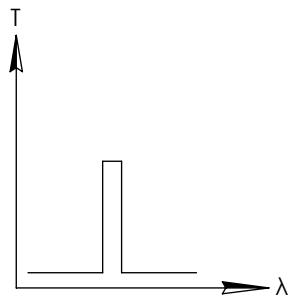
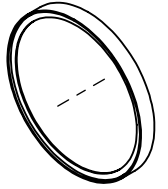
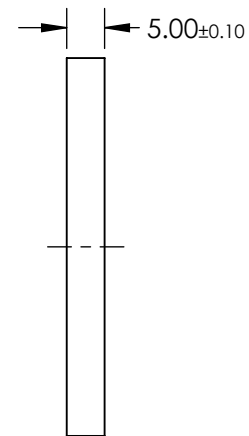
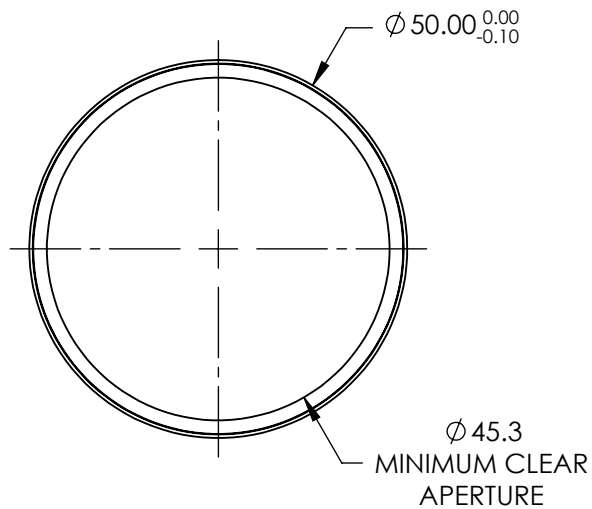


**FOR INFORMATION ONLY:
DO NOT MANUFACTURE
PARTS TO THIS DRAWING**



BANDPASS FILTER



REV. A	VALUE
CENTER WAVELENGTH (CWL)	266nm ±1nm
FULL WIDTH HALF MAX (FWHM)	5.0 ±1nm
MINIMUM TRANSMISSION	≥55%
BLOCKING	200 - 650nm
SURFACE QUALITY	80-50
CONSTRUCTION	MOUNTED IN BLACK ANODIZED ALUMINUM RING
COATING TYPE	HARD COATED
DURABILITY	MIL-C-48497a, SEC 3.4.1
ENVIRONMENTAL	MIL-STD-810F, SEC 507.4

SPECIFICATIONS SUBJECT TO CHANGE WITHOUT NOTICE
DIMENSIONS ARE FOR REFERENCE ONLY

EO® Edmund Optics®



ALL DIMS IN

mm

TITLE

266nm CWL, 50mm Dia., Hard Coated OD4
5nm Bandpass Filter

DWG NO

39373

SHEET
1 OF 1