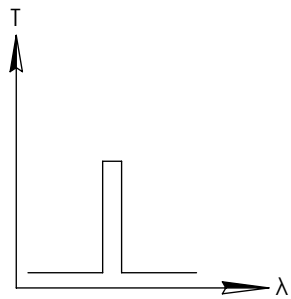
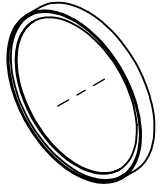
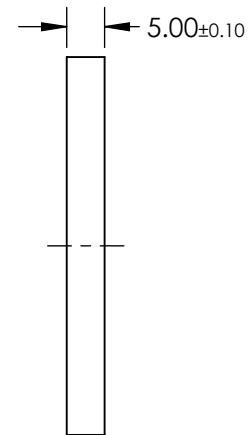
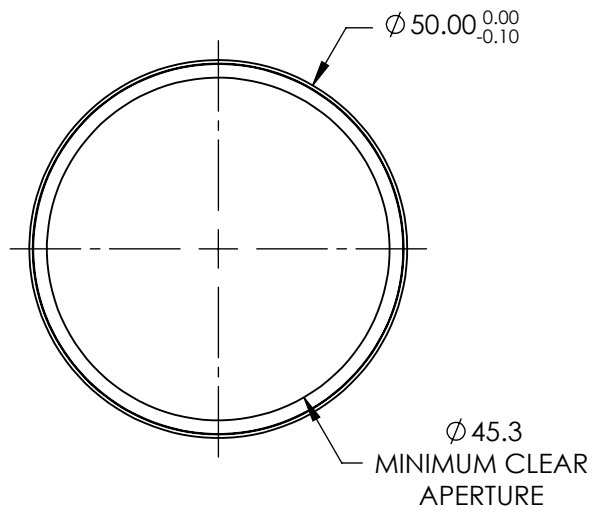


**FOR INFORMATION ONLY:  
DO NOT MANUFACTURE  
PARTS TO THIS DRAWING**



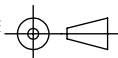
BANDPASS FILTER



REV. A	VALUE
CENTER WAVELENGTH (CWL)	405nm $\pm$ 1nm
FULL WIDTH HALF MAX (FWHM)	5.0 $\pm$ 1nm
MINIMUM TRANSMISSION	$\geq$ 85%
BLOCKING	200 - 1200nm
SURFACE QUALITY	80-50
CONSTRUCTION	MOUNTED IN BLACK ANODIZED ALUMINUM RING
COATING TYPE	HARD COATED
DURABILITY	MIL-C-48497a, SEC 3.4.1
ENVIRONMENTAL	MIL-STD-810F, SEC 507.4

SPECIFICATIONS SUBJECT TO CHANGE WITHOUT NOTICE  
DIMENSIONS ARE FOR REFERENCE ONLY

**EO**® Edmund Optics®

THIRD ANGLE PROJECTION 

ALL DIMS IN mm

TITLE	405nm CWL, 50mm Dia., Hard Coated OD4 5nm Bandpass Filter		
DWG NO	39376	SHEET	1 OF 1