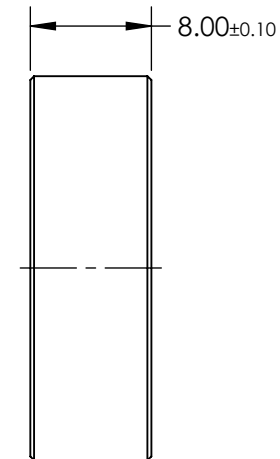
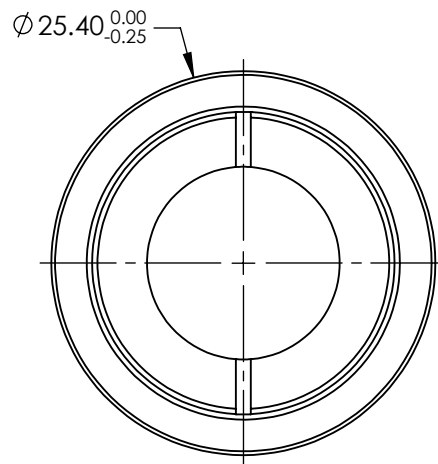
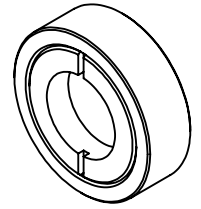


NOTES:

1. SUBSTRATE:
CRYSTAL QUARTZ AND MgF2
2. COATING SPECIFICATION (APPLY ACROSS COATING APERTURE)

S1 & S2: R(AVG) < 0.6% @ 700 - 1000nm

DAMAGE THRESHOLD, CW: 500 kW/cm²
(PULSED): 2 J/cm² FOR 8ns @ 1064nm
3. CONSTRUCTION: CRYSTALLINE
4. ROHS: COMPLIANT



**FOR INFORMATION ONLY:
DO NOT MANUFACTURE
PARTS TO THIS DRAWING**

SPECIFICATIONS SUBJECT TO CHANGE WITHOUT NOTICE
DIMENSIONS ARE FOR REFERENCE ONLY

REV. A	VALUE
WAVELENGTH RANGE (nm)	700 - 1000
SURFACE QUALITY	20 - 10
CLEAR APERTURE (mm)	Ø12.50
RETARDANCE	λ/2
RETARDANCE TOLERANCE	≤ λ/100

THIRD ANGLE PROJECTION

ALL DIMS IN mm

 **Edmund Optics®**

TITLE

25.4mm Dia, 700-1000nm, λ/2 Wave
Achromatic Waveplate

DWG NO

46561

SHEET
1 OF 1