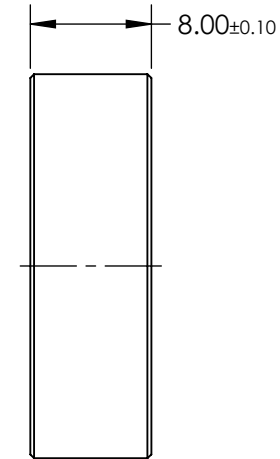
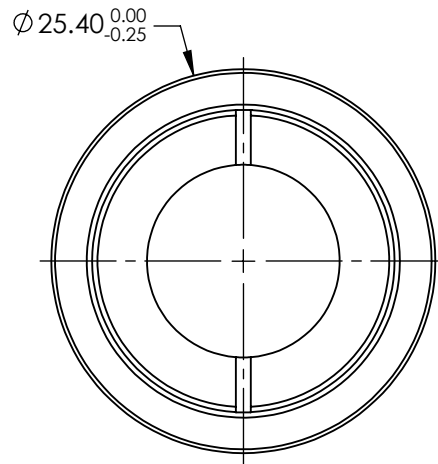
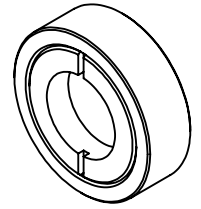


NOTES:

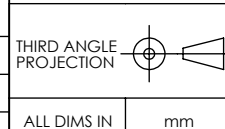
1. SUBSTRATE:  
CRYSTAL QUARTZ AND MgF2
2. COATING SPECIFICATION (APPLY ACROSS COATING APERTURE)  
  
S1 & S2: R(AVG) < 0.5% @ 1200 - 1650nm  
  
DAMAGE THRESHOLD, CW: 500 kW/cm<sup>2</sup>  
(PULSED): 2 J/cm<sup>2</sup> FOR 8ns @ 1064nm
3. CONSTRUCTION: CRYSTALLINE
4. ROHS: COMPLIANT



**FOR INFORMATION ONLY:  
DO NOT MANUFACTURE  
PARTS TO THIS DRAWING**

SPECIFICATIONS SUBJECT TO CHANGE WITHOUT NOTICE  
DIMENSIONS ARE FOR REFERENCE ONLY

| REV. A                | VALUE       |
|-----------------------|-------------|
| WAVELENGTH RANGE (nm) | 1200 - 1650 |
| SURFACE QUALITY       | 20 - 10     |
| CLEAR APERTURE (mm)   | Ø11.50      |
| RETARDANCE            | λ/4         |
| RETARDANCE TOLERANCE  | ≤ λ/100     |



**EO**® Edmund Optics®

|        |   |       |        |
|--------|---|-------|--------|
| TITLE  | 25.4mm Dia, 1200-1650nm, λ/4 Wave<br>Achromatic Waveplate |       |        |
| DWG NO | 46562   | SHEET | 1 OF 1 |