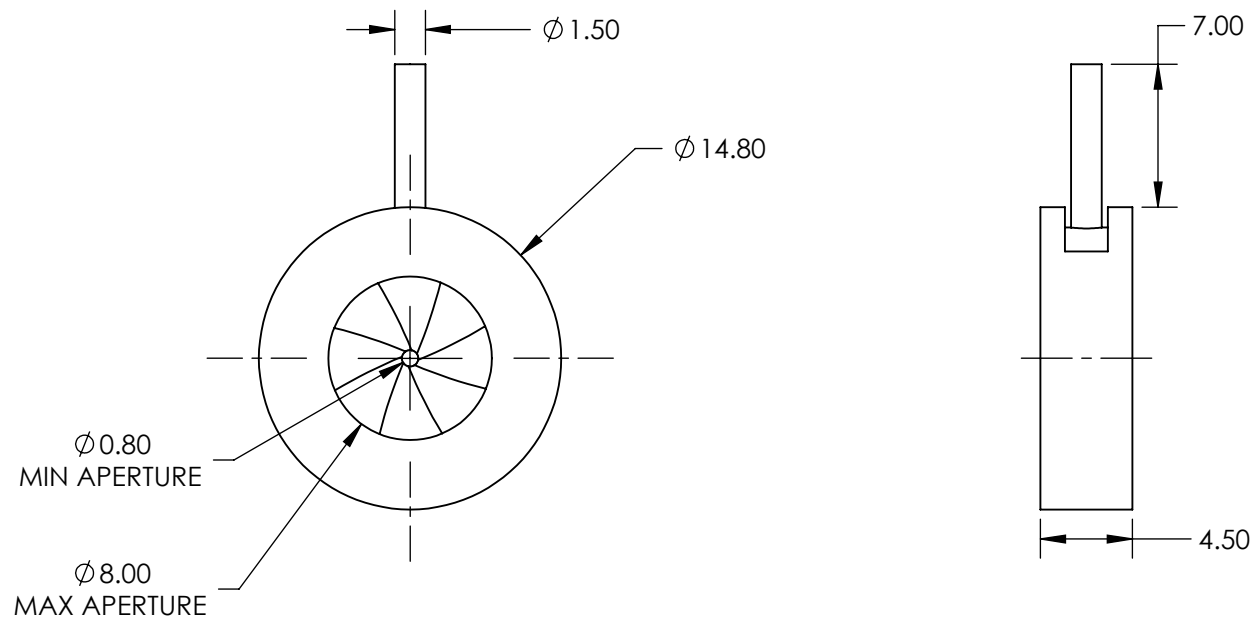


NOTES:

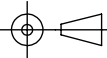
1. CONSTRUCTION:
Blackened Brass Housing, Stainless Steel Leaves, Stainless Steel Pin Actuators
2. NUMBER OF LEAVES: 8
3. ROHS: COMPLIANT



SPECIFICATIONS SUBJECT TO CHANGE WITHOUT NOTICE
DIMENSIONS ARE FOR REFERENCE ONLY

**FOR INFORMATION ONLY:
DO NOT MANUFACTURE
PARTS TO THIS DRAWING**

EO[®] Edmund Optics[®]

THIRD ANGLE PROJECTION 		TITLE	14.8mm Outer Diameter, Stainless Steel Iris Diaphragm	
ALL DIMS IN	mm	DWG NO	62650	SHEET 1 OF 1