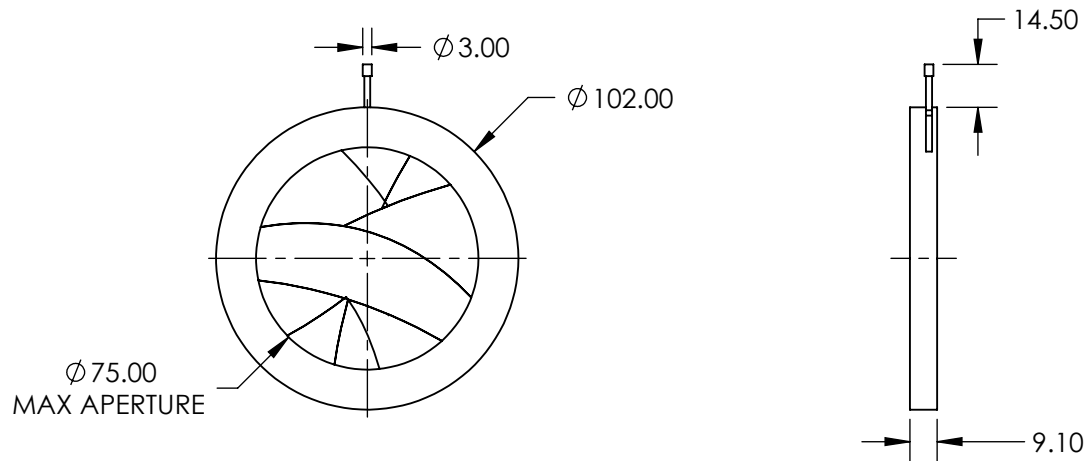


NOTES:

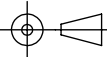
1. CONSTRUCTION:
Blackened Brass Housing, Black Spring Steel Leaves, Stainless Steel Pins
2. NUMBER OF LEAVES: Two Sets of 10
3. ROHS: COMPLIANT



SPECIFICATIONS SUBJECT TO CHANGE WITHOUT NOTICE
DIMENSIONS ARE FOR REFERENCE ONLY

**FOR INFORMATION ONLY:
DO NOT MANUFACTURE
PARTS TO THIS DRAWING**

EO[®] Edmund Optics[®]

THIRD ANGLE PROJECTION 		TITLE	Zero Aperture, 102mm Outer Diameter, Iris Diaphragm	
ALL DIMS IN	mm	DWG NO	64506	SHEET 1 OF 1