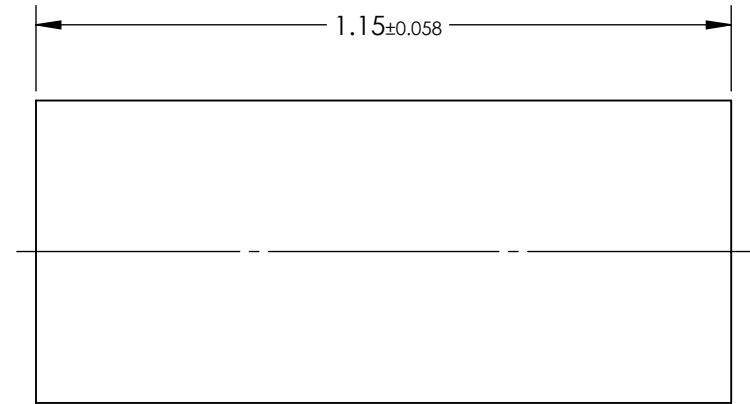
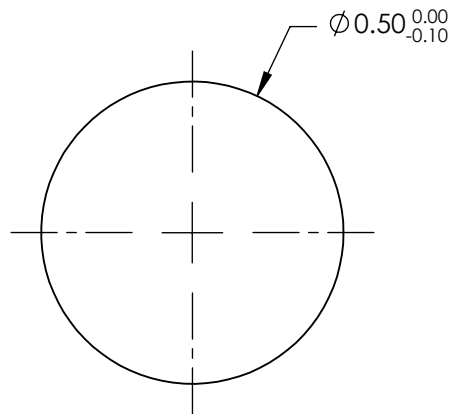


NOTES:

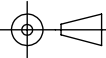
1. SUBSTRATE:  
Alumoscilate Glass Embedded with Silver Ions
2. COATING (APPLY ACROSS COATING APERTURE)  
S1 & S2: Uncoated
3. EFL: 0.45
4. f/# : 0.9
5. NUMERICAL APERTURE: 0.55
6. DESIGN WAVELENGTH: 670nm
7. WORKING DISTANCE: 0mm
8. ROHS: COMPLIANT



**FOR INFORMATION ONLY:  
DO NOT MANUFACTURE  
PARTS TO THIS DRAWING**

SPECIFICATIONS SUBJECT TO CHANGE WITHOUT NOTICE  
DIMENSIONS ARE FOR REFERENCE ONLY



	S1	S2	THIRD ANGLE PROJECTION 		TITLE	0.5mm Dia, 670nm DWL, 0.0mm WD, Uncoated, GRIN Lens	
SHAPE	PLANO	PLANO	ALL DIMS IN	mm	DWG NO	64515	SHEET 1 OF 1
SURFACE QUALITY	40-20	40-20					
CLEAR APERTURE	Ø0.45	Ø0.45					