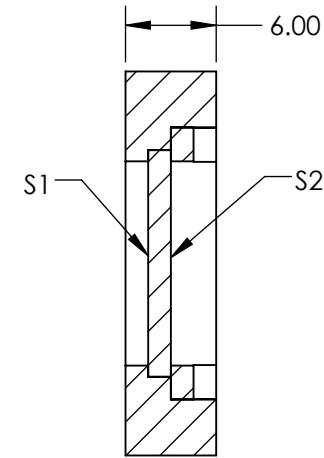
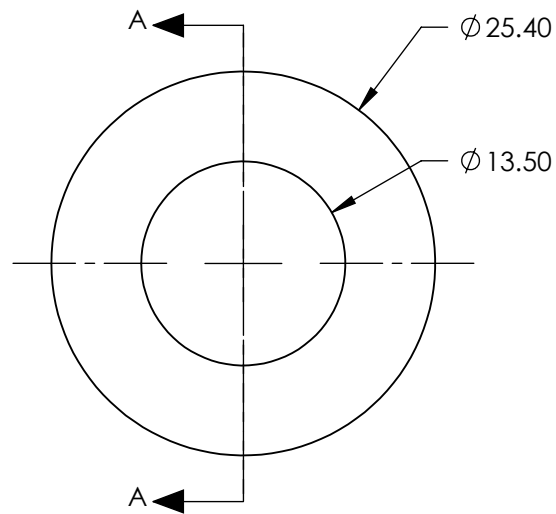


NOTES:

1. SUBSTRATE:  
MgF2
2. SURFACE S1 TO BE PARALLEL TO SURFACE S2 TO WITHIN <3 ARCMINS
3. RETARDANCE:  $\lambda/2 \pm \lambda/100$  @ 20°C
4. DESIGN WAVELENGTH: 7000nm
5. TRANSMITTED WAVEFRONT:  $<\lambda/8$  @ 632.8nm
6. CONSTRUCTION: Crystalline
7. ROHS: NOT COMPLIANT



SECTION A-A

SPECIFICATIONS SUBJECT TO CHANGE WITHOUT NOTICE  
DIMENSIONS ARE FOR REFERENCE ONLY

**FOR INFORMATION ONLY:  
DO NOT MANUFACTURE  
PARTS TO THIS DRAWING**

**EO**® Edmund Optics®

|                |       |       |  |    |        |                                   |                 |
|----------------|-------|-------|--|----|--------|-----------------------------------|-----------------|
|                | S1    | S2    | THIRD ANGLE PROJECTION  |    | TITLE  | 7µm λ/2 MWIR Zero Order Waveplate |                 |
| CLEAR APERTURE | Ø10.0 | Ø10.0 | ALL DIMS IN  | mm | DWG NO | 85121                             | SHEET<br>1 OF 1 |