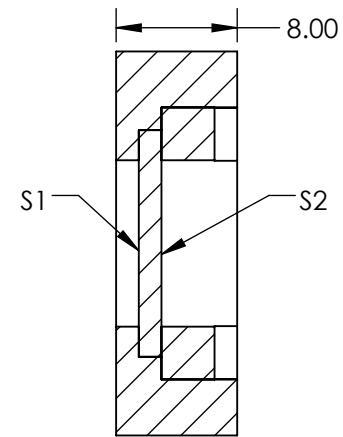
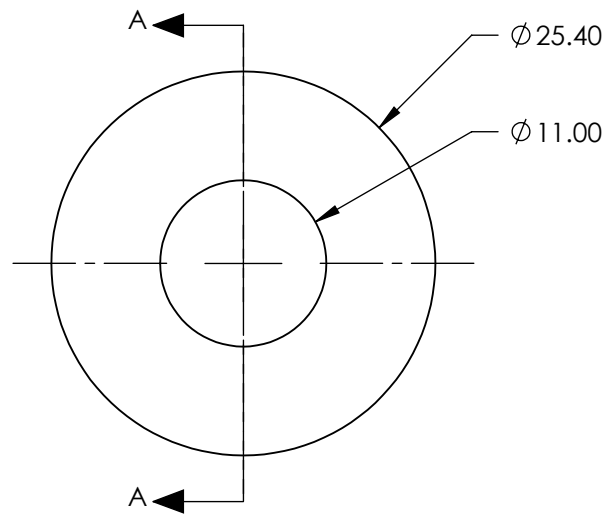


NOTES:

1. SUBSTRATE:
Cadmium Thiogallate
2. SURFACE S1 TO BE PARALLEL TO SURFACE S2 TO WITHIN <3 ARCMINS
3. RETARDANCE: $\lambda/2 \pm \lambda/40$ @ 20°C
4. DESIGN WAVELENGTH: 8000nm
5. TRANSMITTED WAVEFRONT: $<\lambda/4$ @ 632.8nm
6. CONSTRUCTION: Crystalline
7. ROHS: EXEMPT



SECTION A-A

SPECIFICATIONS SUBJECT TO CHANGE WITHOUT NOTICE
DIMENSIONS ARE FOR REFERENCE ONLY

**FOR INFORMATION ONLY:
DO NOT MANUFACTURE
PARTS TO THIS DRAWING**

EO® Edmund Optics®

	S1	S2	THIRD ANGLE PROJECTION		TITLE	8µm λ/2 MWIR Zero Order Waveplate	
CLEAR APERTURE	Ø10.0	Ø10.0	ALL DIMS IN	mm	DWG NO	85122	SHEET 1 OF 1