

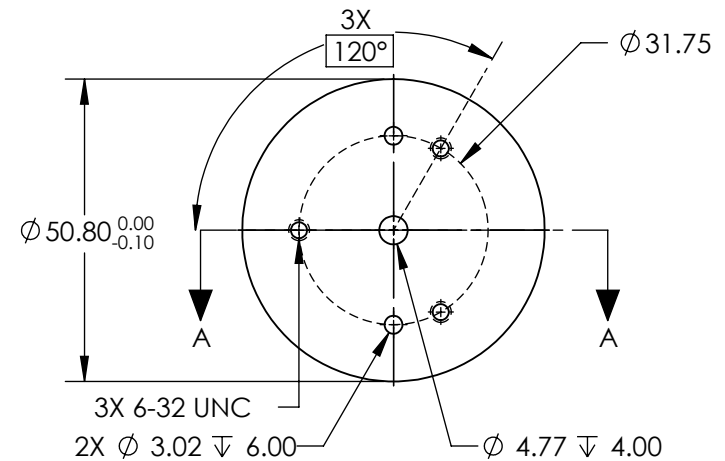
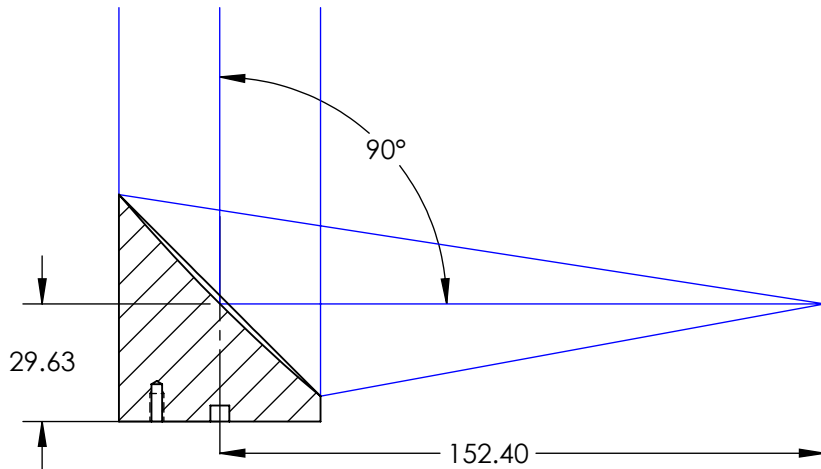
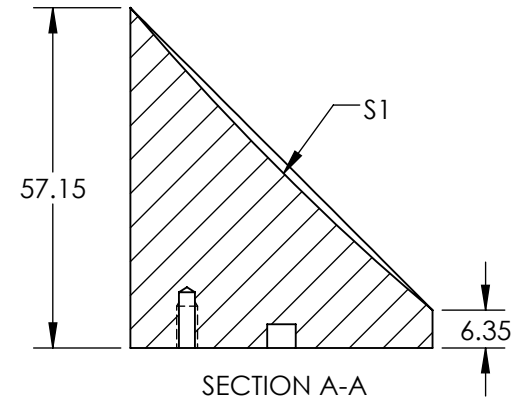
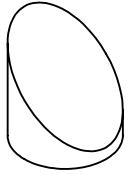
NOTES:

1. SUBSTRATE MATERIAL:
ALUMINUM
2. FINISH (EXCEPT SURFACE S1):
BLACK ANODIZED
3. COATING (APPLY ACROSS CLEAR APERTURE)
S1: PROTECTED ALUMINUM
R(AVG) > 85% FROM 400 - 700nm
R(AVG) > 90% FROM 400 - 2000nm

SURFACE ROUGHNESS: <math> < 50 \text{ \AA} \text{ RMS}</math>

4. FOCAL LENGTH TOLERANCE: $\pm 1\%$
5. ROHS COMPLIANT

FOR INFORMATION ONLY:
DO NOT MANUFACTURE
PARTS TO THIS DRAWING



SPECIFICATIONS SUBJECT TO CHANGE WITHOUT NOTICE
DIMENSIONS ARE FOR REFERENCE ONLY

| | |
|---------------------------------|----------------------|
| REV. A | S1 |
| SHAPE | PARABOLIC |
| SURFACE FIGURE AT 632.8nm (RMS) | $\lambda/8$ |
| CLEAR APERTURE | 90% |
| BEVEL | PROTECTIVE AS NEEDED |



ALL DIMS IN

mm

EO® **Edmund Optics**®

TITLE

$\varnothing 50.8 \times 152.4$ mm EFL, PROTECTED ALUMINUM
50Å OFF-AXIS PARABOLIC MIRROR

DWG NO

37985

SHEET
1 OF 1