

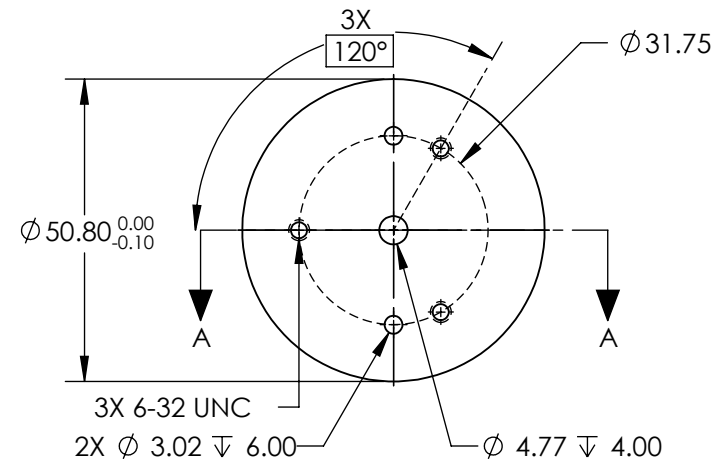
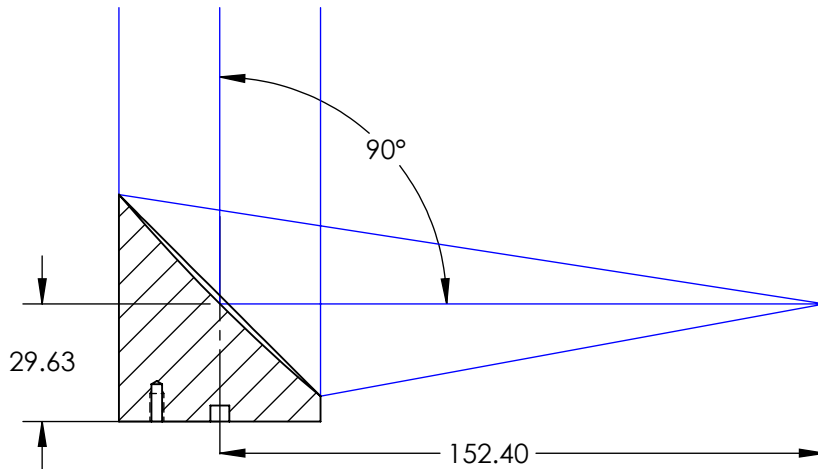
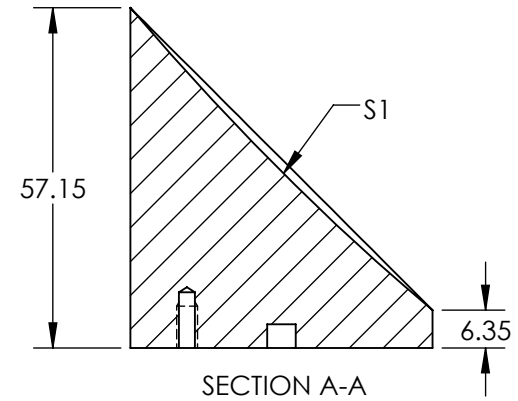
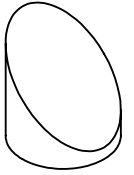
NOTES:

1. SUBSTRATE MATERIAL:  
ALUMINUM
2. FINISH (EXCEPT SURFACE S1):  
BLACK ANODIZED
3. COATING (APPLY ACROSS CLEAR APERTURE)  
S1: PROTECTED GOLD  
R(AVG) >94% @ 0.7-0.8 $\mu$ m  
R(AVG) >97% @ 0.8-2.0 $\mu$ m  
R(AVG) >98% @ 2-12 $\mu$ m

SURFACE ROUGHNESS: <50 Å RMS

4. FOCAL LENGTH TOLERANCE:  $\pm$ 1%
5. ROHS COMPLIANT

**FOR INFORMATION ONLY:  
DO NOT MANUFACTURE  
PARTS TO THIS DRAWING**



SPECIFICATIONS SUBJECT TO CHANGE WITHOUT NOTICE  
DIMENSIONS ARE FOR REFERENCE ONLY

|                                 |                      |
|---------------------------------|----------------------|
| REV. A                          | S1                   |
| SHAPE                           | PARABOLIC            |
| SURFACE FIGURE AT 632.8nm (RMS) | $\lambda/8$          |
| CLEAR APERTURE                  | 90%                  |
| BEVEL                           | PROTECTIVE AS NEEDED |



ALL DIMS IN

mm

**EO**® Edmund Optics®

TITLE

Ø50.8 X 152.4mm EFL, PROTECTED GOLD 50Å  
OFF-AXIS PARABOLIC MIRROR

DWG NO

37990

SHEET  
1 OF 1