

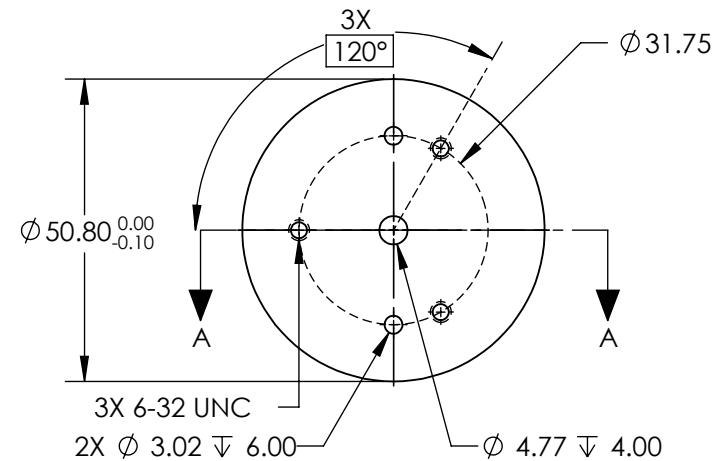
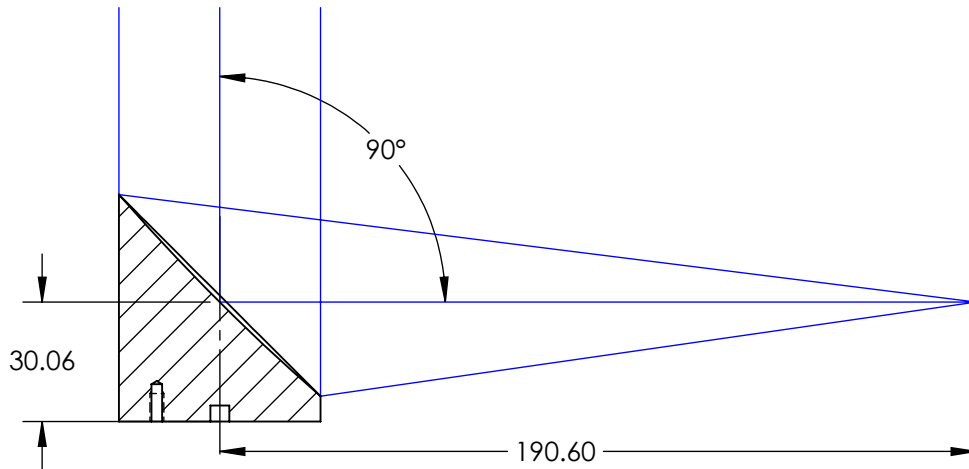
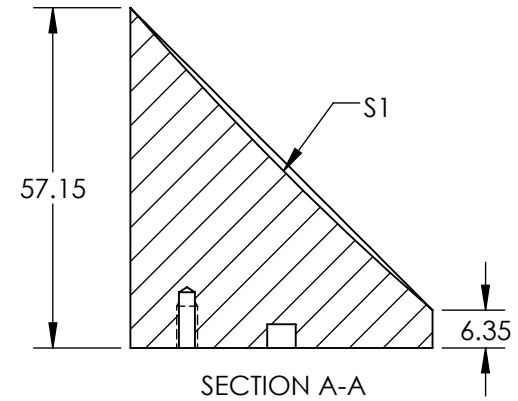
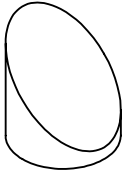
NOTES:

1. SUBSTRATE MATERIAL:  
ALUMINUM
2. FINISH (EXCEPT SURFACE S1):  
BLACK ANODIZED
3. COATING (APPLY ACROSS CLEAR APERTURE)  
S1: UV ENHANCED ALUMINUM  
R(AVG) > 89% FROM 250 - 450nm  
R(AVG) > 85% FROM 250 - 700nm

SURFACE ROUGHNESS: <math> < 50 \text{ \AA} \text{ RMS}</math>

4. FOCAL LENGTH TOLERANCE:  $\pm 1\%$
5. ROHS COMPLIANT

**FOR INFORMATION ONLY:  
DO NOT MANUFACTURE  
PARTS TO THIS DRAWING**



SPECIFICATIONS SUBJECT TO CHANGE WITHOUT NOTICE  
DIMENSIONS ARE FOR REFERENCE ONLY

REV. A	S1
SHAPE	PARABOLIC
SURFACE FIGURE AT 632.8nm (RMS)	$\lambda/8$
CLEAR APERTURE	90%
BEVEL	PROTECTIVE AS NEEDED

THIRD ANGLE PROJECTION

ALL DIMS IN mm

**EO**® Edmund Optics®

TITLE

Ø50.8 X 190.6mm EFL, UV ENHANCED ALUMINUM 50Å OFF-AXIS PARABOLIC MIRROR

DWG NO

37996

SHEET 1 OF 1