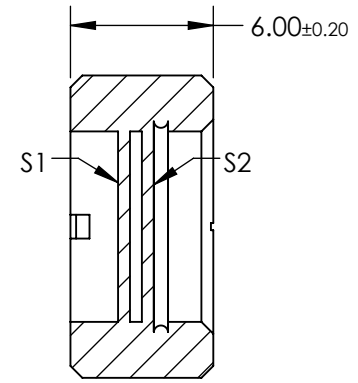
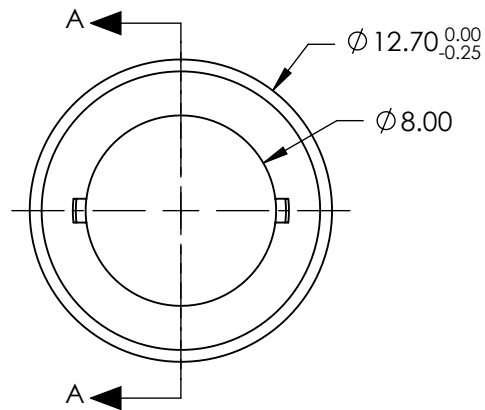


NOTES:

1. SUBSTRATE:  
Crystal Quartz and MgF2
2. COATING (APPLY ACROSS COATING APERTURE):  
S1 & S2: R(AVG) <0.75% @ 900 - 2100nm  
  
DAMAGE THRESHOLD,  
PULSED: >5 J/cm<sup>2</sup>, 10ns @ 10Hz @ 1064nm
3. SURFACE S1 TO BE PARALLEL TO SURFACE S2 TO WITHIN <10 ARCSEC
4. RETARDANCE:  $\lambda/4 \pm \lambda/100$  @ 20°C
5. DESIGN WAVELENGTH: 900 - 2100 nm
6. TRANSMITTED WAVEFRONT: < $\lambda/4$  @ 632nm
7. CONSTRUCTION: Crystalline
8. ROHS: COMPLIANT



SECTION A-A

**FOR INFORMATION ONLY:  
DO NOT MANUFACTURE  
PARTS TO THIS DRAWING**

SPECIFICATIONS SUBJECT TO CHANGE WITHOUT NOTICE  
DIMENSIONS ARE FOR REFERENCE ONLY

**EO**® Edmund Optics®

	S1	S2	THIRD ANGLE PROJECTION	TITLE	12.7mm Dia, 900 - 2100nm, $\lambda/4$ Achromatic Waveplate	
SURFACE QUALITY	40-20	40-20	ALL DIMS IN	mm	DWG NO	39048
CLEAR APERTURE	> Ø8	> Ø8				SHEET 1 OF 1