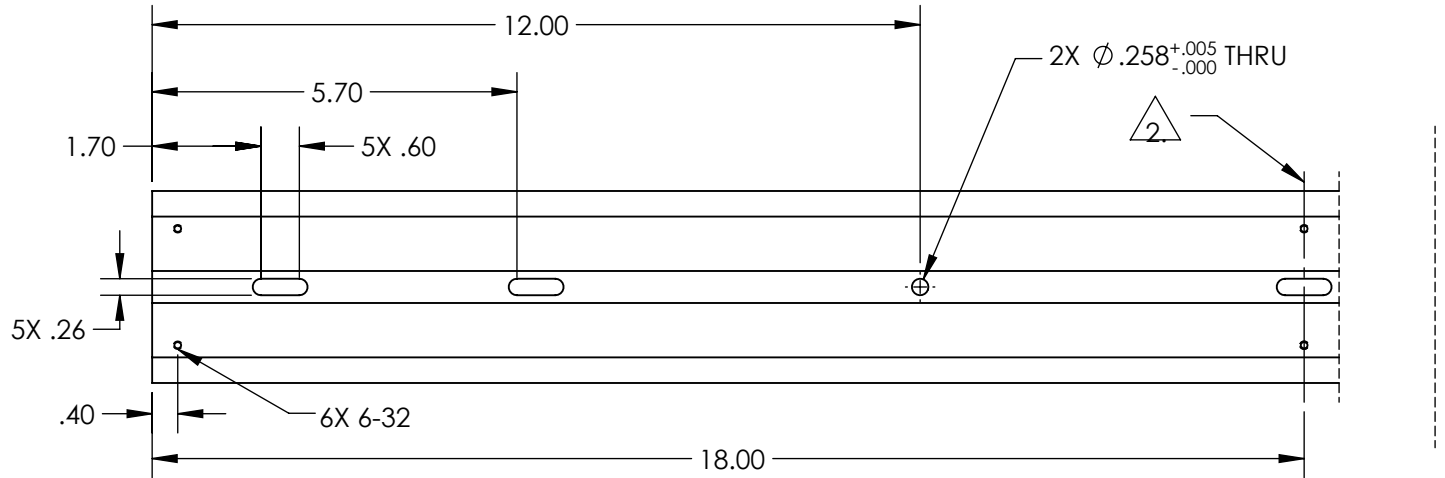
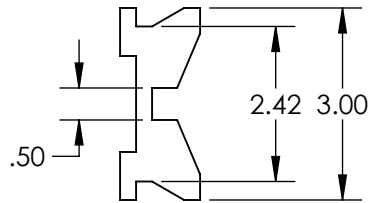


NOTES:

1. MATERIAL:BLACK ANODIZED ALUMINUM

2. DIMENSIONS MIRRORED ABOUT CENTERLINE

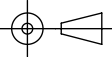
3. RoHS: COMPLIANT



SPECIFICATIONS SUBJECT TO CHANGE WITHOUT NOTICE  
DIMENSIONS ARE FOR REFERENCE ONLY

**FOR INFORMATION ONLY:  
DO NOT MANUFACTURE  
PARTS TO THIS DRAWING**

**EO**® Edmund Optics®

THIRD ANGLE PROJECTION 		TITLE	36" LENGTH, DOVETAIL OPTICAL RAIL	
ALL DIMS IN	mm	DWG NO	54402	SHEET 1 OF 1