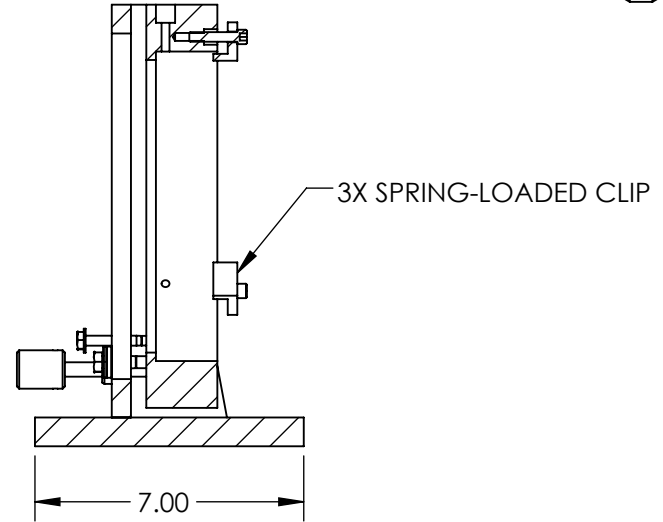
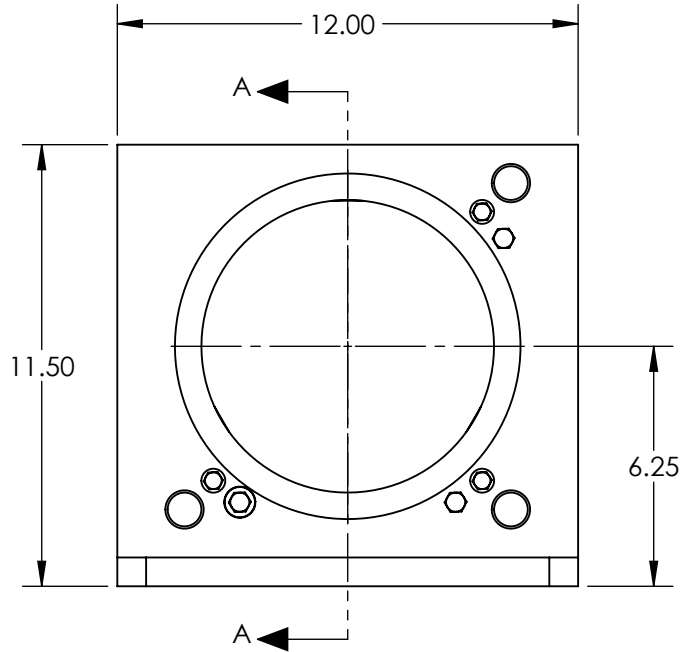
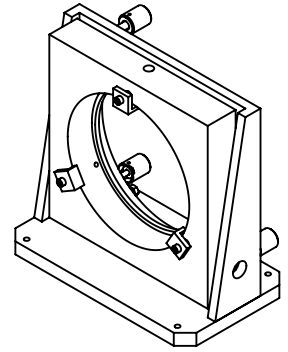
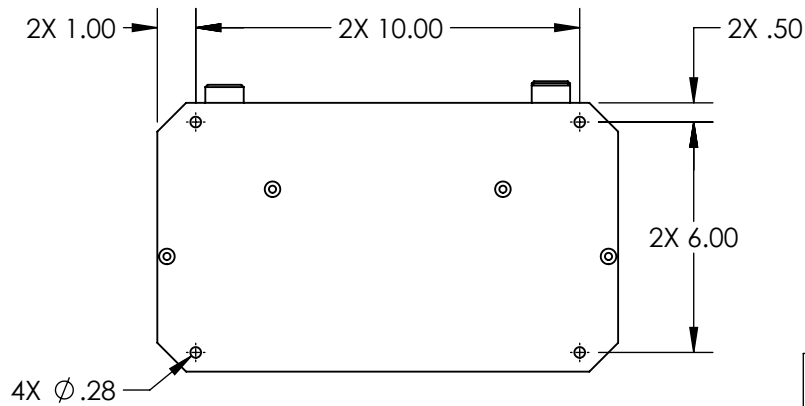


NOTES:

1. MATERIALS: BLACK ANODIZED ALUMINUM AND STAINLESS STEEL
2. DIMENSIONS OF COMPATIBLE OPTICS:
 DIAMETER: 8in
 THICKNESS: <1.6in
3. RoHS: COMPLIANT



SECTION A-A



**FOR INFORMATION ONLY:
 DO NOT MANUFACTURE
 PARTS TO THIS DRAWING**

SPECIFICATIONS SUBJECT TO CHANGE WITHOUT NOTICE
 DIMENSIONS ARE FOR REFERENCE ONLY

EO® Edmund Optics®

THIRD ANGLE PROJECTION		TITLE	8.00" DIAMETER, OPTICAL MOUNT	
ALL DIMS IN	in	DWG NO	36476	SHEET 1 OF 1