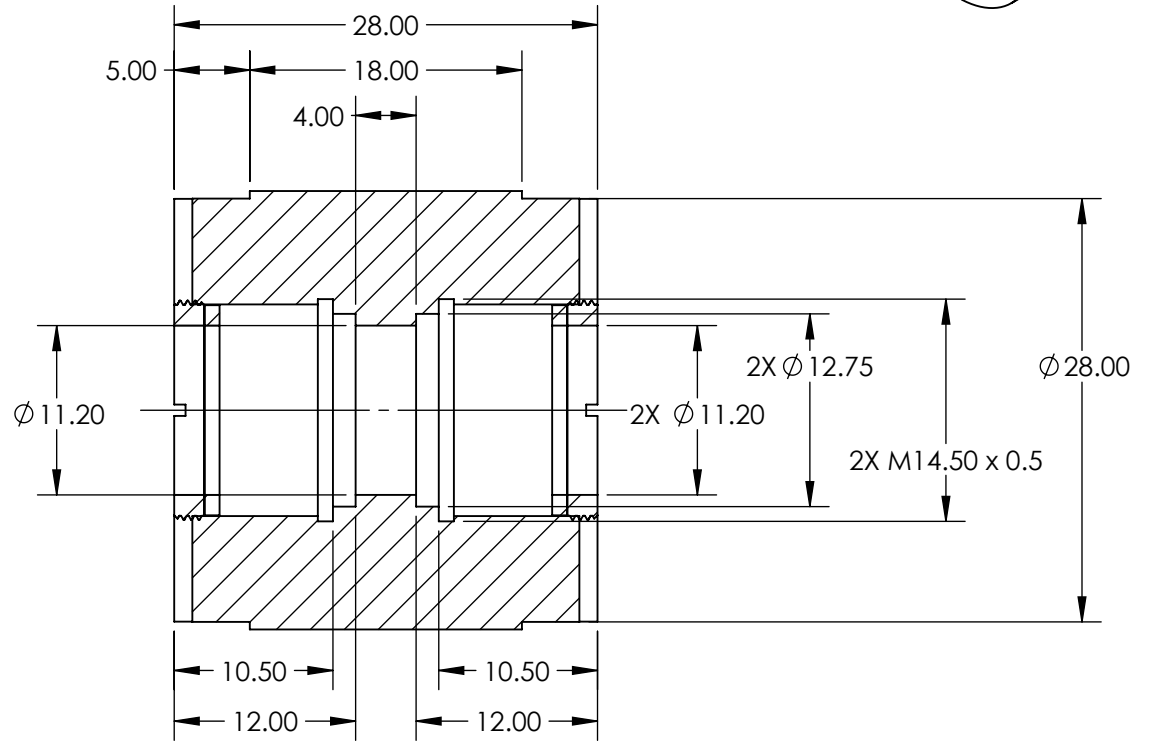
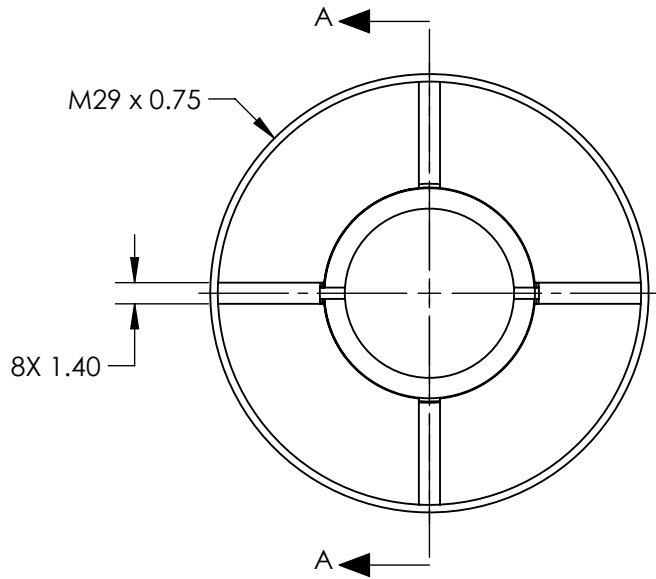
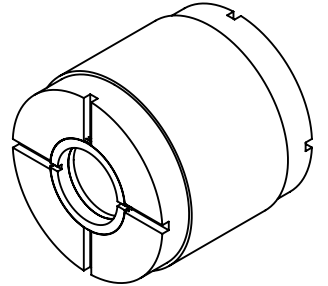


NOTES:

1. MATERIAL: BLACK MATTE ANODIZED ALUMINUM
2. RoHS: COMPLIANT



SECTION A-A

SPECIFICATIONS SUBJECT TO CHANGE WITHOUT NOTICE  
DIMENSIONS ARE FOR REFERENCE ONLY

**FOR INFORMATION ONLY:  
DO NOT MANUFACTURE  
PARTS TO THIS DRAWING**



THIRD ANGLE PROJECTION		TITLE	M29 TUBE 2X12.7L	
ALL DIMS IN	mm	DWG NO	11053	SHEET 1 OF 1