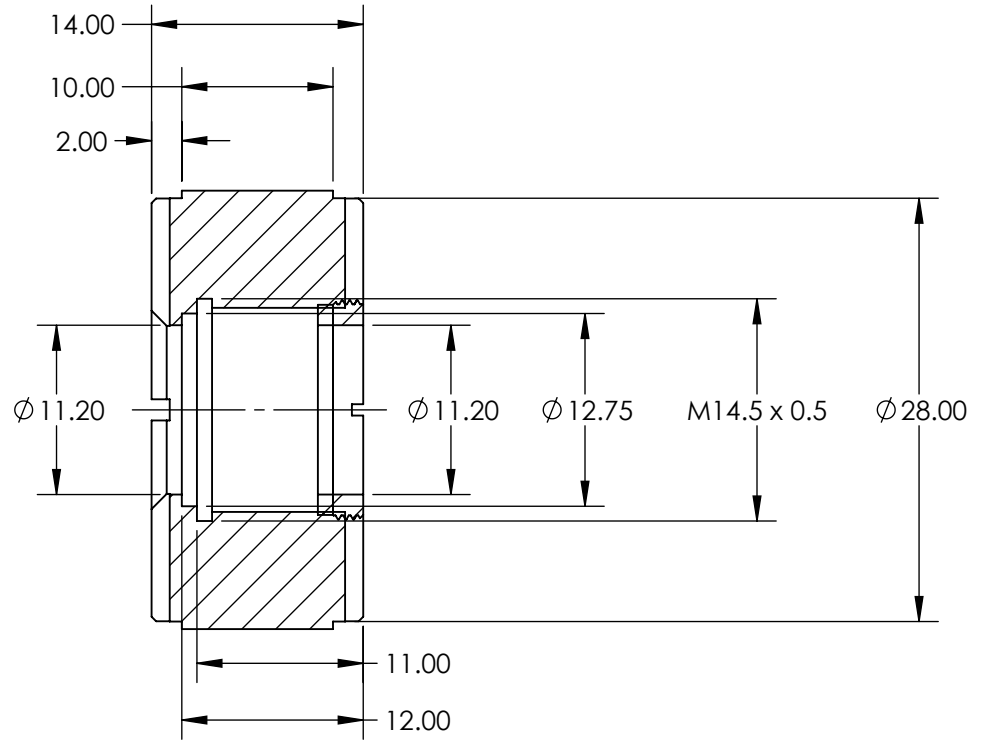
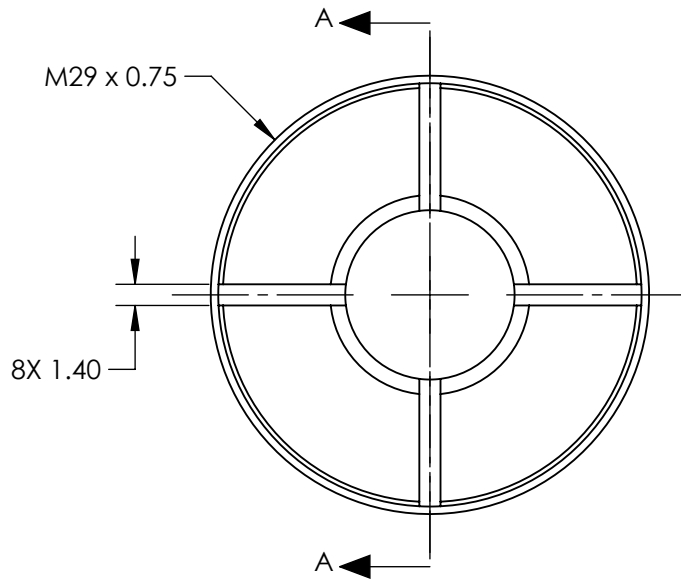
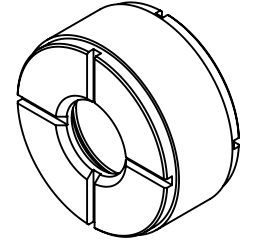


NOTES:

1. MATERIAL: BLACK MATTE ANODIZED ALUMINUM
2. RoHS: COMPLIANT

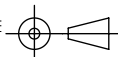


SECTION A-A

SPECIFICATIONS SUBJECT TO CHANGE WITHOUT NOTICE
DIMENSIONS ARE FOR REFERENCE ONLY

**FOR INFORMATION ONLY:
DO NOT MANUFACTURE
PARTS TO THIS DRAWING**



| | | | | |
|--|----|--------|----------------|--------------|
| THIRD ANGLE PROJECTION  | | TITLE | M29 TUBE 12.7L | |
| ALL DIMS IN | mm | DWG NO | 38757 | SHEET 1 OF 1 |