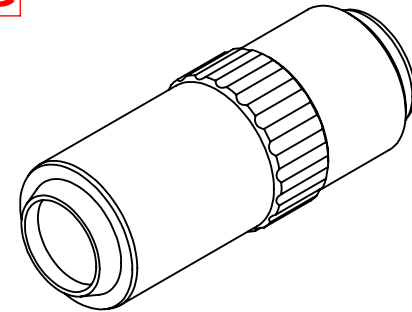
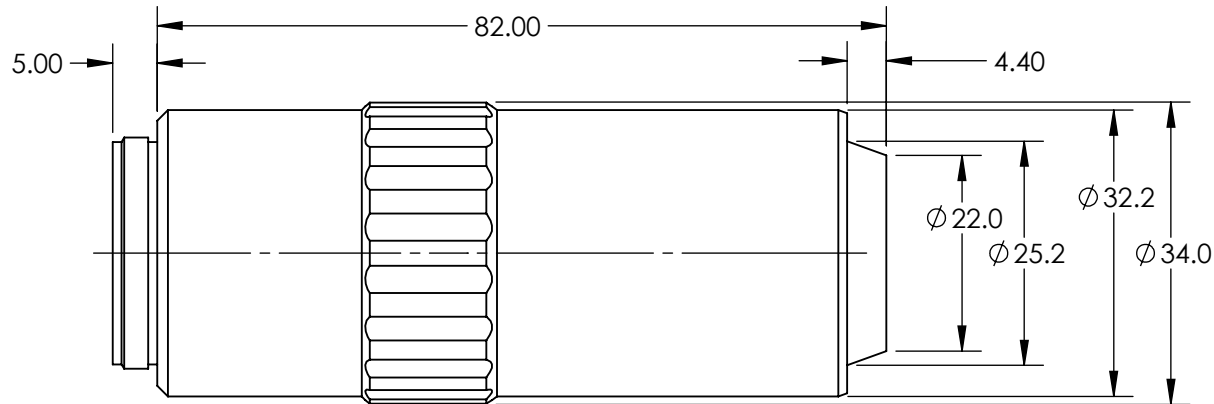


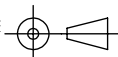
**FOR INFORMATION ONLY:
DO NOT MANUFACTURE
PARTS TO THIS DRAWING**



FOCAL LENGTH FL (mm)	2
MAGNIFICATION	100X
MOUNTING THREAD	M26 x 36 TPI
NUMERICAL APERTURE NA	0.55
WORKING DISTANCE (mm)	13
LENGTH EXCLUDING THREADS (mm)	82
MAXIMUM DIAMETER (mm)	34
TYPE	Microscope Objective
COMPATIBLE TUBE LENS	Focal Length: 200mm
DEPTH OF FOCUS (μm)	0.9
ENTRANCE PUPIL (mm)	2.3
FIELD OF VIEW, 1/2" SENSOR	0.06 x 0.05mm
FIELD OF VIEW, 18 DIAMETER FIELD EYEPIECE (mm)	0.18
FIELD OF VIEW, 2/3" SENSOR	0.09 x 0.07mm
FIELD OF VIEW, 24 DIAMETER FIELD EYEPIECE (mm)	0.24
RESOLVING POWER (μm)	0.5
WAVELENGTH RANGE (nm)	435 - 655
RoHS	Exempt

SPECIFICATIONS SUBJECT TO CHANGE WITHOUT NOTICE
DIMENSIONS ARE FOR REFERENCE ONLY

EO® **Edmund Optics**®

THIRD ANGLE PROJECTION 	TITLE	100X Mitutoyo Plan Apo SL Infinity Corrected Objective	
ALL DIMS IN	mm	DWG NO	46401
			SHEET 1 OF 1