

## T-MM Series Datasheet



Lens Adaptor (optional)  
12mm/0.5" Optics



Lens Adaptor (optional)  
25mm/1" Optics



Lens Adaptor (optional)  
C-mount

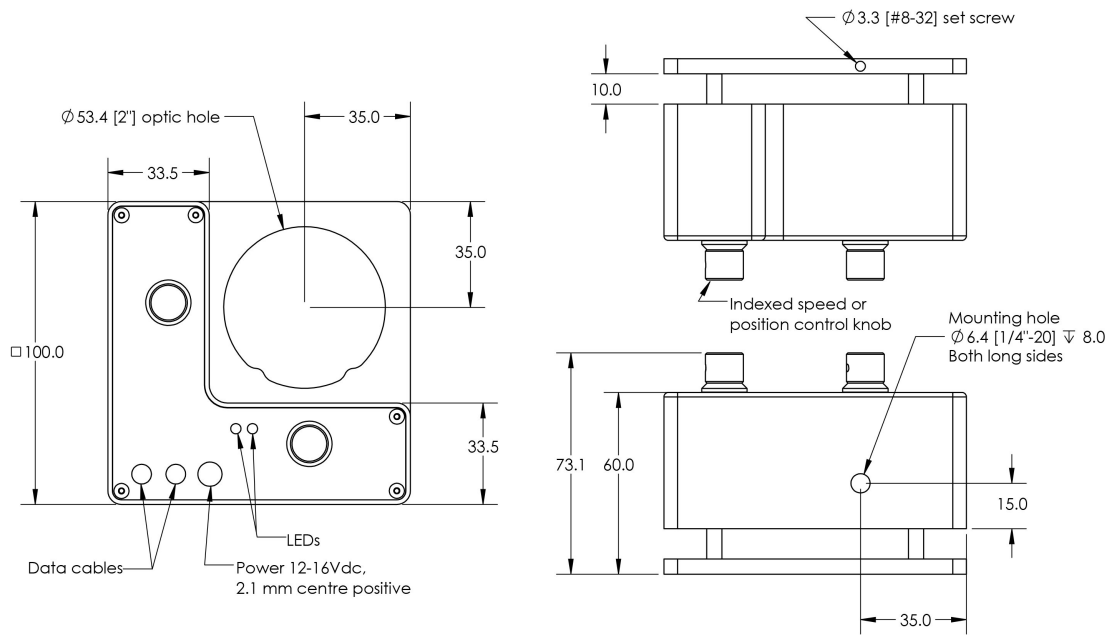
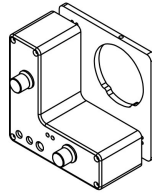


- Two-axis kinematic mount with  $\pm 5^\circ$  range
- Repeatability down to  $0.015^\circ$
- Holds 2" (50 mm) optics; adaptors available for C-Mount, 1" (25 mm), and 1/2" (12.5 mm) optics
- Built-in controller; daisy-chains data and power with other T-Series products

The T-MM2 Series are motorized two axis mirror mounts. They can be controlled manually or by using the RS-232 serial interface.

## Drawings

**ZABER**  
**T-MM Motorized Mirror Mount**  
 dimensions in mm



DWG 1115 801

## Specifications

Specification	Value	Alternate Unit
RoHS Compliant	Yes	
Operating Temperature Range	0 to 50 °C	
Vacuum Compatible	No	
Communication Interface	RS-232	
Weight	0.96 kg	2.116 lb
CE Compliant	Pending	
Optic Mounting Interface	2" diameter optics	
Mounting Interface	1/4-20 threaded adapter	
LED Indicators	Yes	
Axes of Motion	2	
Manual Control	Yes	
Limit or Home Sensing	Magnetic home sensors	
Mechanical Drive System	Precision lead screw	
Data Cable Connection	Minidin 6	
Default Resolution	1/64 of a step	
Inductance	55 mH/phase	
Motor Type	Stepper (2 phase)	
Motor Steps Per Rev	48	
Angular Motion Per Motor Rev	0.264 °	
Power Plug	2.1 mm center positive	
Power Supply	12-16 VDC	
Maximum Current Draw	530 mA	
Maximum Centered Load	15 N	3.4 lb
Communication Protocol	Zaber Binary	
Built-in Controller	Yes	
Microstep Size (Default Resolution)	0.000086 °	1.501 μrad
Range	-5.27 to +5.27 °	
Accuracy (unidirectional)	0.06 °	1.047000 mrad
Repeatability	< 0.015 °	< 0.262 mrad
Backlash	< 0.03 °	< 0.524 mrad

Specification	Value	Alternate Unit
Maximum Speed	3.44 °/s	0.6 rpm
Minimum Speed	0.000806 °/s	14.067 μrad/s
Encoder Type	None	
Speed Resolution	0.000806 °/s	