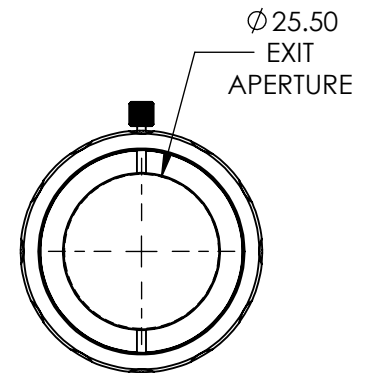
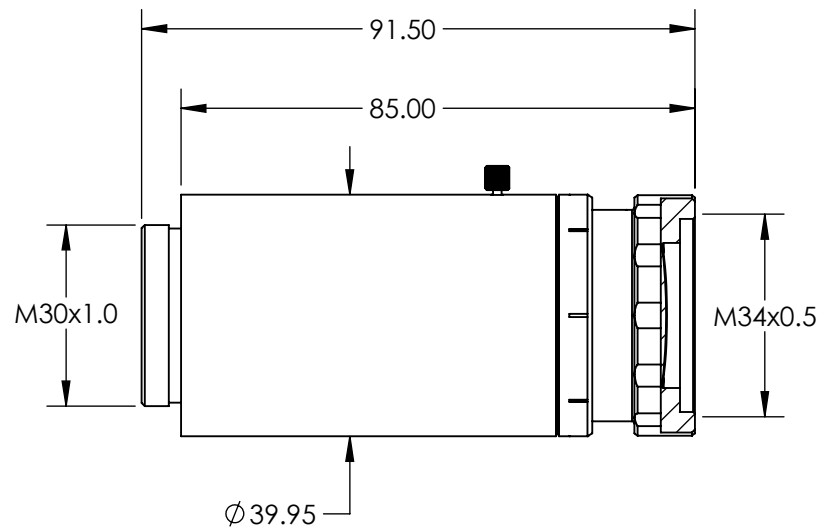
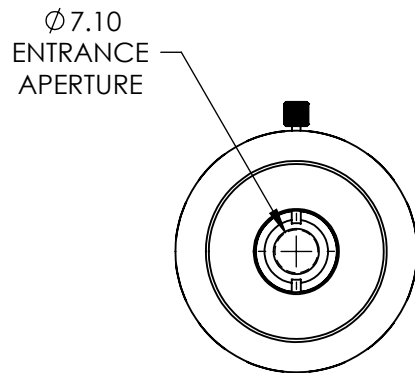


NOTES:

1. SUBSTRATE:
FUSED SILICA
2. COATING (APPLY ACROSS COATING APERTURE):

LASER VIS-NIR (500-1090nm)
R(AVG) ≤1% @ 500 - 1090nm @ 0° AOI

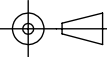
DAMAGE THRESHOLD,
PULSED: 2 J/cm² @ 1064nm, 20ns, 20Hz
3. TRANSMITTED WAVEFRONT DISTORTION P-V:
λ/10 for 3.6mm input beam (nominal, λ = DWL)
4. ROHS COMPLIANT



**FOR INFORMATION ONLY:
DO NOT MANUFACTURE
PARTS TO THIS DRAWING**

SPECIFICATIONS SUBJECT TO
CHANGE WITHOUT NOTICE
DIMENSIONS ARE FOR
REFERENCE ONLY

EO® Edmund Optics®

THIRD ANGLE PROJECTION 		TITLE	7X, VIS-NIR Vega™ Broadband Beam Expander	
ALL DIMS IN	mm	DWG NO	39739	SHEET 1 OF 1