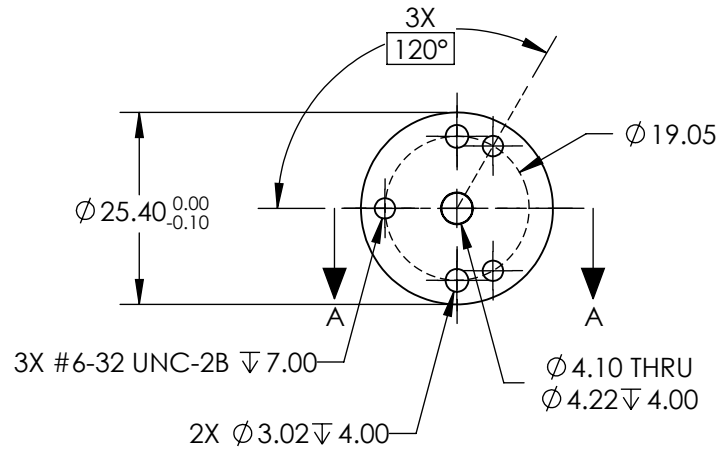
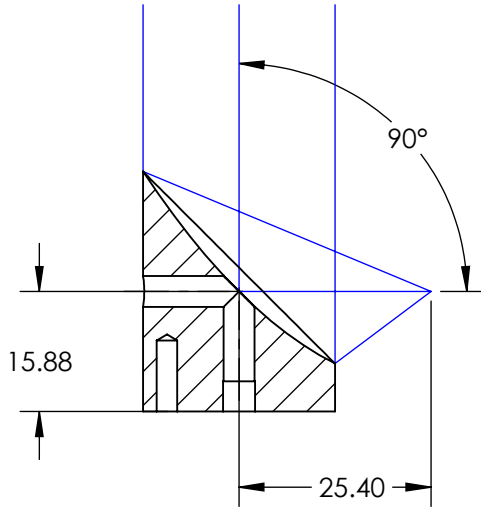
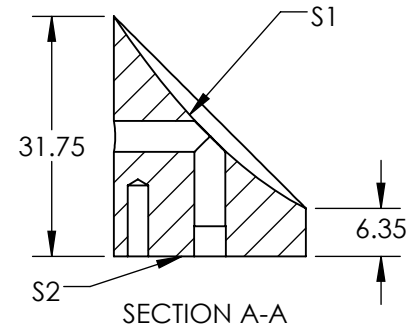
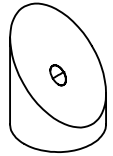


NOTES:

1. SUBSTRATE MATERIAL:
ALUMINUM 6061-T6
2. FINISH (EXCEPT SURFACE S1 & S2):
BLACK ANODIZED
3. COATING (APPLY ACROSS CLEAR APERTURE)
S1: ENHANCED ALUMINUM (250-700nm)
R(AVG) >89% @ 250 - 450nm
R(AVG) >85% @ 250 - 700nm

SURFACE ROUGHNESS: <50 RMS Å
4. FOCAL LENGTH TOLERANCE: ±1%
5. ROHS COMPLIANT

FOR INFORMATION ONLY:
DO NOT MANUFACTURE
PARTS TO THIS DRAWING



SPECIFICATIONS SUBJECT TO CHANGE WITHOUT NOTICE
DIMENSIONS ARE FOR REFERENCE ONLY

	S1
SURFACE FIGURE AT 632.8nm (RMS)	$\lambda/8$
CLEAR APERTURE	90%
SHAPE	PARABOLIC
BEVEL	PROTECTIVE AS NEEDED

		Edmund Optics®	
		TITLE Ø25.4mm X 25.4mm EFL, UV ENHANCED ALUMINUM 90° OAP MIRROR, THROUGH HOLES	
ALL DIMS IN	mm	DWG NO	11768
			SHEET 1 OF 1