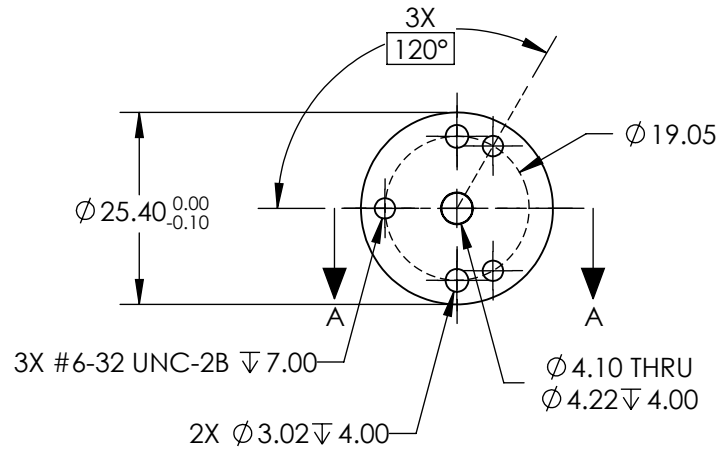
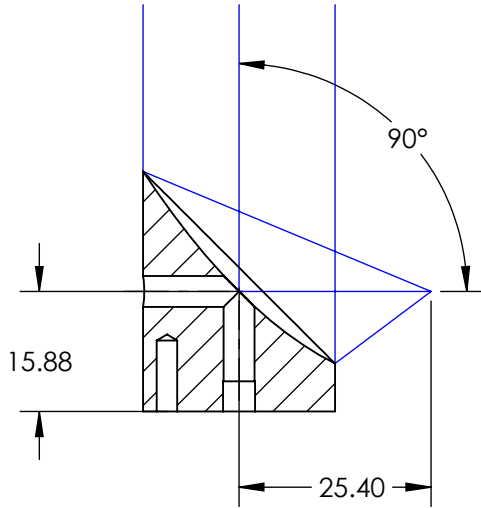
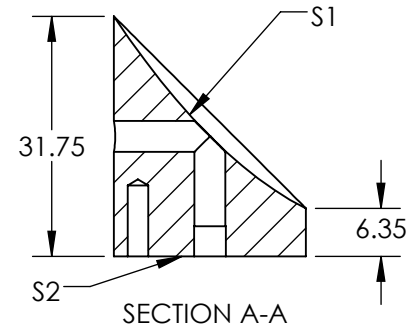
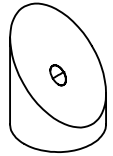


NOTES:

1. SUBSTRATE MATERIAL:
ALUMINUM 6061-T6
2. FINISH (EXCEPT SURFACE S1 & S2):
BLACK ANODIZED
3. COATING (APPLY ACROSS CLEAR APERTURE)
S1: PROTECTED GOLD (700-10000nm)
R(AVG) >96% @ 700 - 2000nm
R(AVG) >96% @ 2000 - 10,000nm

SURFACE ROUGHNESS: <50 RMS Å
4. FOCAL LENGTH TOLERANCE: ±1%
5. ROHS COMPLIANT

FOR INFORMATION ONLY:
DO NOT MANUFACTURE
PARTS TO THIS DRAWING



SPECIFICATIONS SUBJECT TO CHANGE WITHOUT NOTICE
DIMENSIONS ARE FOR REFERENCE ONLY

	S1
SURFACE FIGURE AT 632.8nm (RMS)	$\lambda/8$
CLEAR APERTURE	90%
SHAPE	PARABOLIC
BEVEL	PROTECTIVE AS NEEDED

		Edmund Optics®	
		TITLE	Ø25.4mm X 25.4mm EFL, PROTECTED GOLD 90° OAP MIRROR, THROUGH HOLES
ALL DIMS IN	mm	DWG NO	11772
			SHEET 1 OF 1