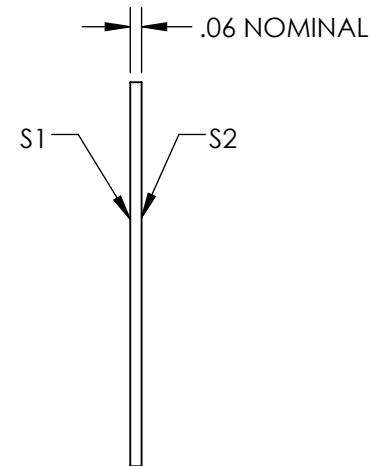
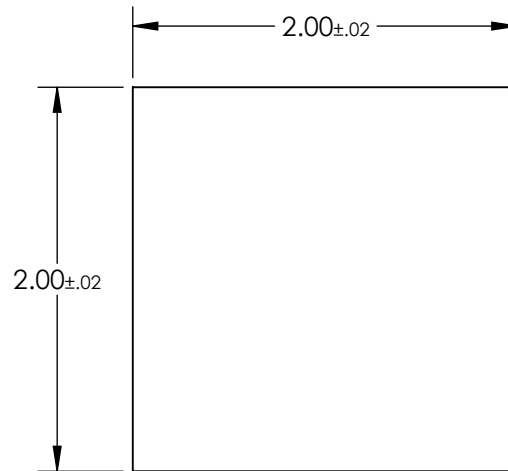
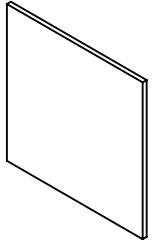


NOTES:

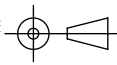
1. SUBSTRATE: FLOAT GLASS
2. LINE PAIR PATTERN: 120lp/mm
3. PARALLELISM:
 LINE TO LINE: ≤ 2 ARCSEC
 PATTERN TO SUBSTRATE: $\pm 1^\circ$
4. COATING:
 S1 & S2:
 VACUUM DEPOSITED CHROME, OD > 3.0
5. RoHS: COMPLIANT



**FOR INFORMATION ONLY:
 DO NOT MANUFACTURE
 PARTS TO THIS DRAWING**

SPECIFICATIONS SUBJECT TO CHANGE WITHOUT NOTICE
 DIMENSIONS ARE FOR REFERENCE ONLY

	S1	S2
SHAPE	PLANO	PLANO
SURFACE QUALITY	60-40	60-40
SURFACE FLATNESS	1λ	1λ
BEVEL	PROTECTIVE AS NEEDED	PROTECTIVE AS NEEDED

THIRD ANGLE PROJECTION 

ALL DIMS IN in

EO® Edmund Optics®

TITLE	2" x 2" (120 lp/mm), Ronchi Ruling
DWG NO	62202
SHEET	1 OF 1