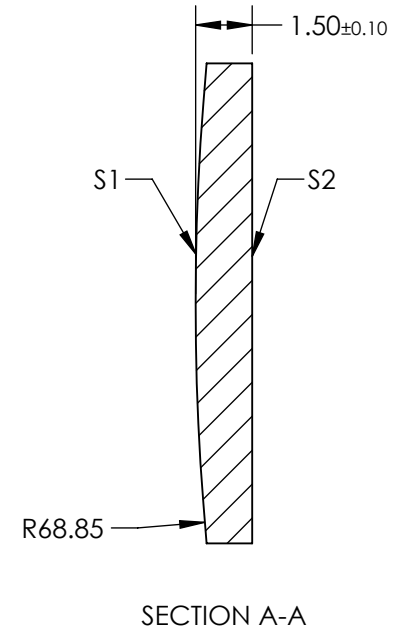
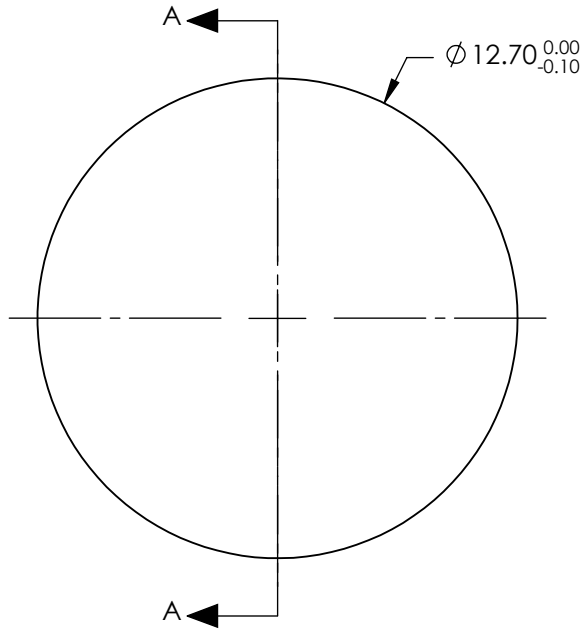


NOTES:


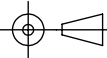
1. SUBSTRATE: FUSED SILICA
2. COATING:  
S1 & S2: R(ABS) <0.5% @ 370 - 550nm
3. CENTERING: < 3 ARCMIN
4. RoHS: COMPLIANT

**FOR INFORMATION ONLY:  
DO NOT MANUFACTURE  
PARTS TO THIS DRAWING**



SPECIFICATIONS SUBJECT TO CHANGE WITHOUT NOTICE  
DIMENSIONS ARE FOR REFERENCE ONLY

	S1	S2
SHAPE	CONVEX	PLANO
SURFACE QUALITY	20-10	20-10
CLEAR APERTURE	Ø11.43	Ø11.43
BEVEL	PROTECTIVE AS NEEDED	PROTECTIVE AS NEEDED

EFL: 150.17mm		 <b>Edmund Optics®</b>	
BFL: 149.15mm			
THIRD ANGLE PROJECTION 		TITLE	12.7mm Diameter x 150mm FL, 370-550nm Coated, Ultrafast Thin PCX Lens
ALL DIMS IN	mm	DWG NO	11675
			SHEET 1 OF 1