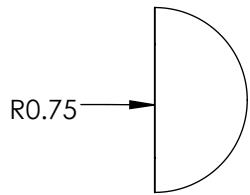
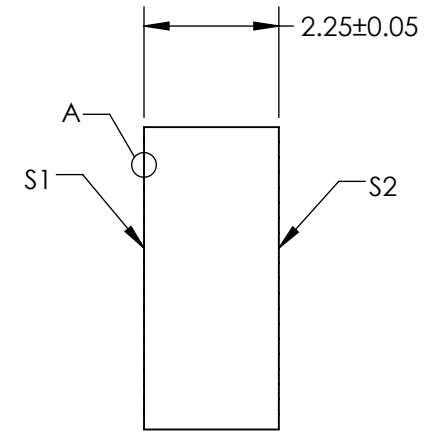
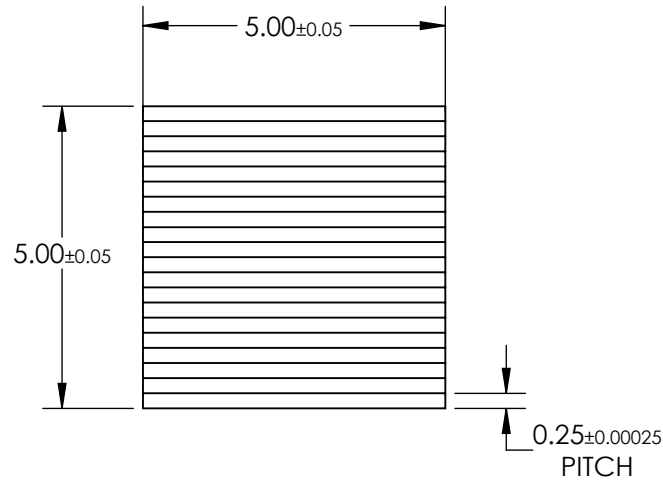


NOTES:

1. SUBSTRATE:
Fused Silica
2. COATING (APPLY ACROSS COATING APERTURE):
S1 & S2: NONE
3. EFFECTIVE FOCAL LENGTH: 1.60 mm
4. DIVERGENCE ANGLE: $\pm 5^\circ$
5. WAVELENGTH RANGE (nm): 200 - 2200
6. ROHS: COMPLIANT



DETAIL A



SPECIFICATIONS SUBJECT TO CHANGE WITHOUT NOTICE
DIMENSIONS ARE FOR REFERENCE ONLY

**FOR INFORMATION ONLY:
DO NOT MANUFACTURE
PARTS TO THIS DRAWING**

EO® **Edmund Optics**®

THIRD ANGLE PROJECTION 		TITLE	Fly's Eye Array 5 x 5mm, 250µm Pitch, 5° Divergence	
ALL DIMS IN	mm	DWG NO	64488	SHEET 1 OF 1