
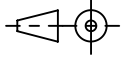
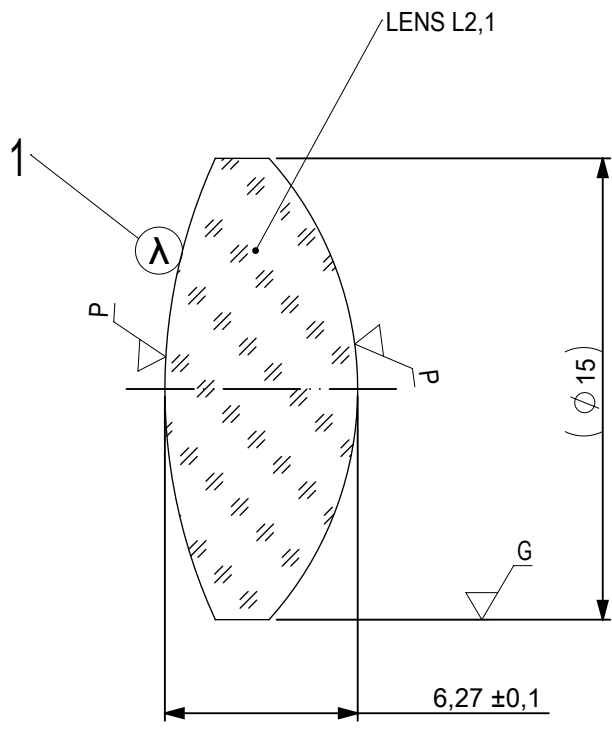


FOCAL LENGTH (EFL): $25 \pm 0,25$
 BACK FOCAL LENGTH (BFL): 20,98

SURFACE A	SURFACE B	SURFACE C
$\varnothing e 14$	$\varnothing e 14$	$\varnothing e 14$
CEMENT: NOA 61 OR EQUIVALENT		

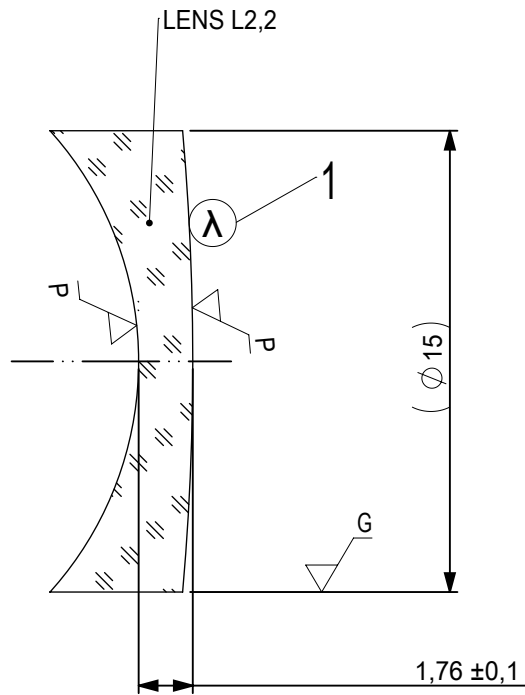
PROTECTIVE CHAMFERS AS NEEDED		FIRST ANGLE PROJECTION	 Edmund Optics[®]			
ROHS: COMPLIANT	SCALE: NONE $\lambda = 587,6\text{nm}$					
SPECIFICATIONS SUBJECT TO CHANGE WITHOUT NOTICE. DIMENSIONS ARE FOR REFERENCE ONLY			TITLE	15mm Dia, x 25mm FL, MgF2 Coated, Achromatic Doublet Lens		
FOR INFORMATION ONLY: DO NOT MANUFACTURE PARTS TO THIS DRAWING			ALL DIMS IN:	mm	DWG NO	
INDICATIONS IN ACCORDANCE WITH ISO 10110				45174	SHEET SIZE A4	SHEET 1 OF 3



1 AR COATING:
 ¼ WAVE MgF2 @ 550nm
 R(AVG) < 1,75% FROM 400-700nm (N-BK7)

LEFT SURFACE	MATERIAL	RIGHT SURFACE
R 17,97±0,018 CX Øe 14 3/ 3 (0,5) λ=632,8 nm 4/ - 5/ 40 - 20 (MIL-PRF-13830B) 6/ -	GLASS S-BAH11 667/483	R 11,2±0,011 CX Øe 14 3/ 3 (0,5) λ=632,8 nm 4/ - 5/ 40 - 20 (MIL-PRF-13830B) 6/ -

PROTECTIVE CHAMFERS AS NEEDED		FIRST ANGLE PROJECTION			
ROHS: COMPLIANT	SCALE: NONE λ = 587,6nm				
SPECIFICATIONS SUBJECT TO CHANGE WITHOUT NOTICE. DIMENSIONS ARE FOR REFERENCE ONLY			TITLE	15mm Dia, x 25mm FL, MgF2 Coated, Achromatic Doublet Lens	
FOR INFORMATION ONLY: DO NOT MANUFACTURE PARTS TO THIS DRAWING			ALL DIMS IN: mm	DWG NO	45174
INDICATIONS IN ACCORDANCE WITH ISO 10110					SHEET 2 OF 3



1 AR COATING:

¼ WAVE MgF2 @ 550nm
 R(AVG) < 1,75% FROM 400-700nm (N-BK7)

LEFT SURFACE	MATERIAL	RIGHT SURFACE
R 11,2±0,011 CV Øe 14 3/ 3 (0,5) λ=632,8 nm 4/ - 5/ 40 - 20 (MIL-PRF-13830B) 6/ -	GLASS N-SF10 728/284	R 85,31±0,085 CX Øe 14 3/ 3 (0,5) λ=632,8 nm 4/ - 5/ 40 - 20 (MIL-PRF-13830B) 6/ -

PROTECTIVE CHAMFERS AS NEEDED		FIRST ANGLE PROJECTION			
ROHS: COMPLIANT	SCALE: NONE λ = 587,6nm				
SPECIFICATIONS SUBJECT TO CHANGE WITHOUT NOTICE. DIMENSIONS ARE FOR REFERENCE ONLY			TITLE	15mm Dia, x 25mm FL, MgF2 Coated, Achromatic Doublet Lens	
FOR INFORMATION ONLY: DO NOT MANUFACTURE PARTS TO THIS DRAWING			ALL DIMS IN: mm	DWG NO	45174
INDICATIONS IN ACCORDANCE WITH ISO 10110					SHEET 3 OF 3