
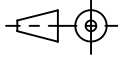
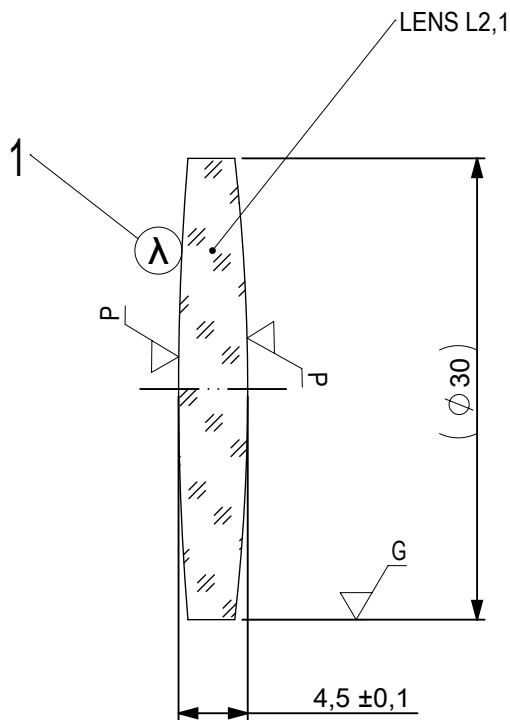


FOCAL LENGTH (EFL):  $300 \pm 3$   
 BACK FOCAL LENGTH (BFL): 296,85

| SURFACE A                    | SURFACE B          | SURFACE C          |
|------------------------------|--------------------|--------------------|
| $\varnothing e 29$           | $\varnothing e 29$ | $\varnothing e 29$ |
| CEMENT: NOA 61 OR EQUIVALENT |                    |                    |

|  |  |   |   |  |        |       |            |    |       |
|--|--|---|---|--|--------|-------|------------|----|-------|
| PROTECTIVE CHAMFERS AS NEEDED  |  | FIRST ANGLE PROJECTION  |  <b>Edmund Optics®</b> |  |        |       |            |    |       |
| ROHS: COMPLIANT  | SCALE: NONE $\lambda = 587,6\text{nm}$ |   |   |  |        |       |            |    |       |
| SPECIFICATIONS SUBJECT TO CHANGE WITHOUT NOTICE. DIMENSIONS ARE FOR REFERENCE ONLY |  |  | TITLE   | 30mm Dia, x 300mm FL, MgF2 Coated, Achromatic Doublet Lens |        |       |            |    |       |
| FOR INFORMATION ONLY: DO NOT MANUFACTURE PARTS TO THIS DRAWING                     |  |   | ALL DIMS IN:  | mm   | DWG NO | 45269 | SHEET SIZE | A4 | SHEET |
| INDICATIONS IN ACCORDANCE WITH ISO 10110   |  |   |   |  |        |       |            |    |       |

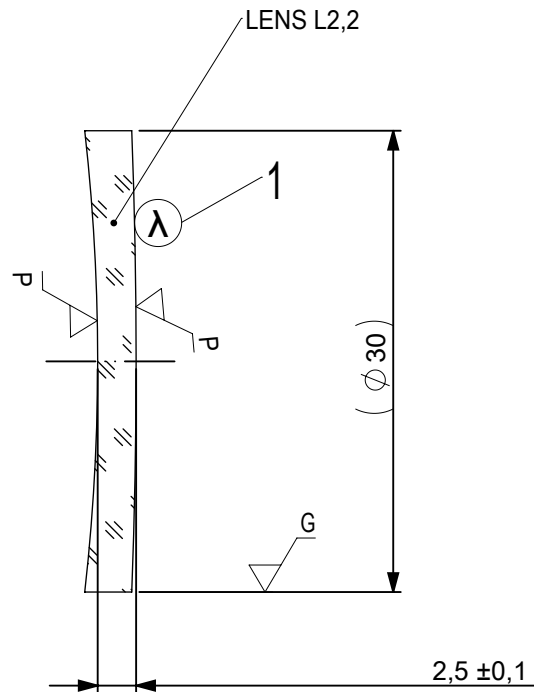


1 AR COATING:

1/4 WAVE MgF2 @ 550nm  
 R(AVG) < 1,75% FROM 400-700nm (N-BK7)

| LEFT SURFACE  | MATERIAL            | RIGHT SURFACE  |
|---|---------------------|--|
| R 184,4±0,184 CX<br>Øe 29<br>3/ 3 (0,5) λ=632,8 nm<br>4/ -<br>5/ 40 - 20 (MIL-PRF-13830B)<br>6/ - | GLASS N-BK7 517/642 | R 133,95±0,134 CX<br>Øe 29<br>3/ 3 (0,5) λ=632,8 nm<br>4/ -<br>5/ 40 - 20 (MIL-PRF-13830B)<br>6/ - |

|  |                         |                        |                 |  |              |
|--|-------------------------|------------------------|-----------------|--|--------------|
| PROTECTIVE CHAMFERS AS NEEDED  |                         | FIRST ANGLE PROJECTION |                 |  |              |
| ROHS: COMPLIANT  | SCALE: NONE λ = 587,6nm |                        |                 |  |              |
| SPECIFICATIONS SUBJECT TO CHANGE WITHOUT NOTICE. DIMENSIONS ARE FOR REFERENCE ONLY |                         |                        | TITLE           | 30mm Dia, x 300mm FL, MgF2 Coated, Achromatic Doublet Lens |              |
| FOR INFORMATION ONLY: DO NOT MANUFACTURE PARTS TO THIS DRAWING                     |                         |                        | ALL DIMS IN: mm | DWG NO   | 45269        |
| INDICATIONS IN ACCORDANCE WITH ISO 10110   |                         |                        |                 |  | SHEET 2 OF 3 |



1 AR COATING:

¼ WAVE MgF2 @ 550nm  
R(AVG) < 1,75% FROM 400-700nm (N-BK7)

| LEFT SURFACE                | MATERIAL            | RIGHT SURFACE               |
|-----------------------------|---------------------|-----------------------------|
| R 133,95±0,134 CV           | GLASS N-SF5 673/322 | R 394,96±0,395 CX           |
| Øe 29                       |                     | Øe 29                       |
| 3/ 3 (0,5) λ=632,8 nm       |                     | 3/ 3 (0,5) λ=632,8 nm       |
| 4/ -                        |                     | 4/ -                        |
| 5/ 40 - 20 (MIL-PRF-13830B) |                     | 5/ 40 - 20 (MIL-PRF-13830B) |
| 6/ -                        |                     | 6/ -                        |

PROTECTIVE CHAMFERS AS NEEDED

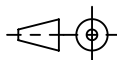
ROHS: COMPLIANT      SCALE: NONE      λ = 587,6nm

SPECIFICATIONS SUBJECT TO CHANGE WITHOUT NOTICE. DIMENSIONS ARE FOR REFERENCE ONLY

FOR INFORMATION ONLY: DO NOT MANUFACTURE PARTS TO THIS DRAWING

INDICATIONS IN ACCORDANCE WITH ISO 10110

FIRST ANGLE PROJECTION



ALL DIMS IN: mm

**EO**® Edmund Optics®

TITLE 30mm Dia, x 300mm FL, MgF2 Coated, Achromatic Doublet Lens

DWG NO 45269

SHEET SIZE A4      SHEET 3 OF 3