
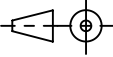
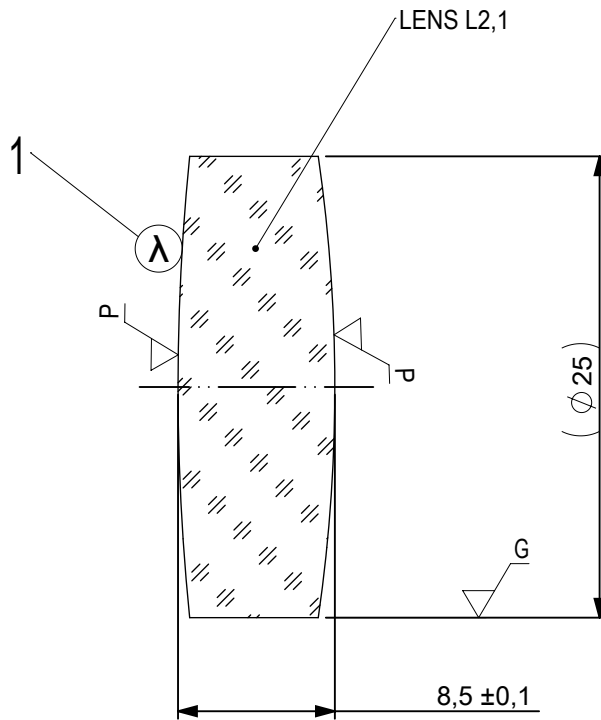


FOCAL LENGTH (EFL):  $200 \pm 2$   
 BACK FOCAL LENGTH (BFL):  $194,14$

| SURFACE A                    | SURFACE B          | SURFACE C          |
|------------------------------|--------------------|--------------------|
| $\varnothing e 24$           | $\varnothing e 24$ | $\varnothing e 24$ |
| CEMENT: NOA 61 OR EQUIVALENT |                    |                    |

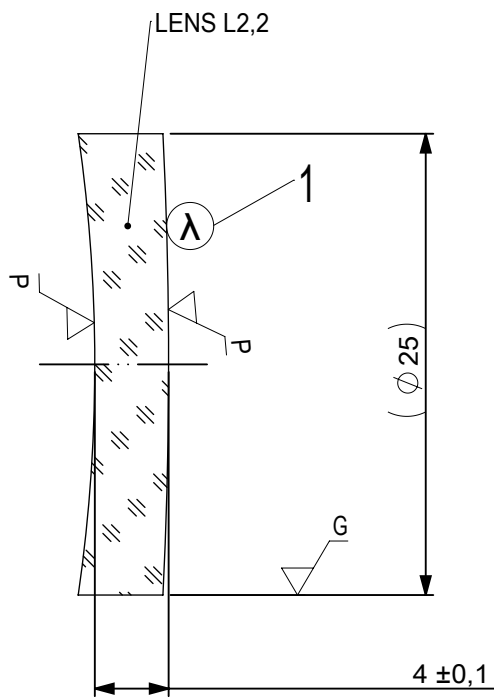
|  |  |   |  |   |                         |                 |
|--|--|---|--|---|-------------------------|-----------------|
| PROTECTIVE CHAMFERS AS NEEDED  |  | FIRST ANGLE PROJECTION  |  <b>Edmund Optics<sup>®</sup></b> |   |                         |                 |
| ROHS: COMPLIANT  | SCALE: NONE $\lambda = 587,6\text{nm}$ |   |  |   |                         |                 |
| SPECIFICATIONS SUBJECT TO CHANGE WITHOUT NOTICE. DIMENSIONS ARE FOR REFERENCE ONLY |  |  | TITLE  | 25mm Dia, x 200mm FL, VIS 0 Coated, Achromatic Lens |                         |                 |
| FOR INFORMATION ONLY: DO NOT MANUFACTURE PARTS TO THIS DRAWING                     |  |   | ALL DIMS IN:   | mm  | DWG NO                  |                 |
| INDICATIONS IN ACCORDANCE WITH ISO 10110   |  |   |  | 47645   | SHEET SIZE<br><b>A4</b> | SHEET<br>1 OF 3 |



1 AR COATING: VIS 0°  
R(AVG) ≤ 0,4% FROM 425-675nm @ 0° AOI

| LEFT SURFACE   | MATERIAL            | RIGHT SURFACE   |
|--|---------------------|---|
| R 124,12±0,124 CX<br>Øe 24<br>3/ 3 (0,5) λ=632,8 nm<br>4/ -<br>5/ 40 - 20 (MIL-PRF-13830B)<br>6/ - | GLASS N-BK7 517/642 | R 87,26±0,087 CX<br>Øe 24<br>3/ 3 (0,5) λ=632,8 nm<br>4/ -<br>5/ 40 - 20 (MIL-PRF-13830B)<br>6/ - |

|  |                         |                        |                       |   |               |              |
|--|-------------------------|------------------------|-----------------------|---|---------------|--------------|
| PROTECTIVE CHAMFERS AS NEEDED  |                         | FIRST ANGLE PROJECTION | <b>Edmund Optics®</b> |   |               |              |
| ROHS: COMPLIANT  | SCALE: NONE λ = 587,6nm |                        |                       |   |               |              |
| SPECIFICATIONS SUBJECT TO CHANGE WITHOUT NOTICE. DIMENSIONS ARE FOR REFERENCE ONLY |                         |                        | TITLE                 | 25mm Dia, x 200mm FL, VIS 0 Coated, Achromatic Lens |               |              |
| FOR INFORMATION ONLY: DO NOT MANUFACTURE PARTS TO THIS DRAWING                     |                         |                        | ALL DIMS IN:          | mm  | DWG NO        |              |
| INDICATIONS IN ACCORDANCE WITH ISO 10110   |                         |                        |                       | 47645   | SHEET SIZE A4 | SHEET 2 OF 3 |



1 AR COATING: VIS 0°  
 R(AVG) ≤ 0,4% FROM 425-675nm @ 0° AOI

| LEFT SURFACE  | MATERIAL            | RIGHT SURFACE   |
|---|---------------------|---|
| R 87,26±0,087 CV<br>Øe 24<br>3/ 3 (0,5) λ=632,8 nm<br>4/ -<br>5/ 40 - 20 (MIL-PRF-13830B)<br>6/ - | GLASS N-SF5 673/322 | R 253,1±0,253 CX<br>Øe 24<br>3/ 3 (0,5) λ=632,8 nm<br>4/ -<br>5/ 40 - 20 (MIL-PRF-13830B)<br>6/ - |

|  |                         |                        |                       |   |              |
|--|-------------------------|------------------------|-----------------------|---|--------------|
| PROTECTIVE CHAMFERS AS NEEDED  |                         | FIRST ANGLE PROJECTION | <b>Edmund Optics®</b> |   |              |
| ROHS: COMPLIANT  | SCALE: NONE λ = 587,6nm |                        |                       |   |              |
| SPECIFICATIONS SUBJECT TO CHANGE WITHOUT NOTICE. DIMENSIONS ARE FOR REFERENCE ONLY |                         |                        | TITLE                 | 25mm Dia, x 200mm FL, VIS 0 Coated, Achromatic Lens |              |
| FOR INFORMATION ONLY: DO NOT MANUFACTURE PARTS TO THIS DRAWING                     |                         |                        | ALL DIMS IN: mm       | DWG NO  | 47645        |
| INDICATIONS IN ACCORDANCE WITH ISO 10110   |                         |                        |                       |   | SHEET 3 OF 3 |