
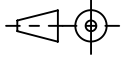
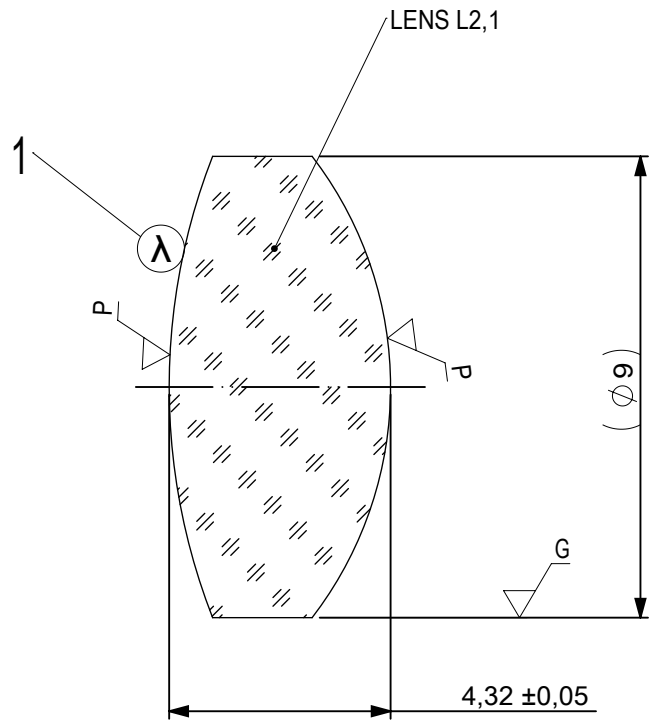


FOCAL LENGTH (EFL):  $18 \pm 0,18$   
 BACK FOCAL LENGTH (BFL):  $14,91$

1 BLACKENED SURFACE

SURFACE A	SURFACE B	SURFACE C
$\varnothing e 8,1$	$\varnothing e 8,1$	$\varnothing e 8,1$
CEMENT: NOA 61 OR EQUIVALENT		

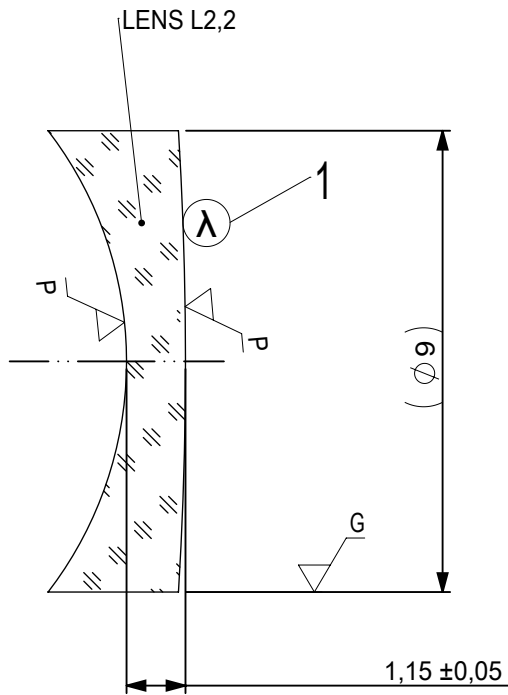
PROTECTIVE CHAMFERS AS NEEDED		FIRST ANGLE PROJECTION	 <b>Edmund Optics<sup>®</sup></b>		
ROHS: COMPLIANT	SCALE: NONE $\lambda = 587,6nm$				
SPECIFICATIONS SUBJECT TO CHANGE WITHOUT NOTICE. DIMENSIONS ARE FOR REFERENCE ONLY			TITLE: 9mm Dia, x 18mm FL, VIS 0, Inked, Achromatic Lens		
FOR INFORMATION ONLY: DO NOT MANUFACTURE PARTS TO THIS DRAWING			ALL DIMS IN: mm	DWG NO: 47653INK	SHEET SIZE: A4
INDICATIONS IN ACCORDANCE WITH ISO 10110					



1 AR COATING: VIS 0°  
R(AVG) ≤ 0,4% FROM 425-675nm @ 0° AOI


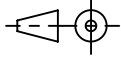
LEFT SURFACE	MATERIAL	RIGHT SURFACE
R 12,37±0,012 CX Øe 8,1 3/ 3 (0,5) λ=632,8 nm 4/ - 5/ 40 - 20 (MIL-PRF-13830B) 6/ -	GLASS N-BaF10 670/472	R 7,38±0,007 CX Øe 8,1 3/ 3 (0,5) λ=632,8 nm 4/ - 5/ 40 - 20 (MIL-PRF-13830B) 6/ -

PROTECTIVE CHAMFERS AS NEEDED		FIRST ANGLE PROJECTION	<b>Edmund Optics®</b>	
ROHS: COMPLIANT	SCALE: NONE λ = 587,6nm			
SPECIFICATIONS SUBJECT TO CHANGE WITHOUT NOTICE. DIMENSIONS ARE FOR REFERENCE ONLY			TITLE	9mm Dia, x 18mm FL, VIS 0, Inked, Achromatic Lens
FOR INFORMATION ONLY: DO NOT MANUFACTURE PARTS TO THIS DRAWING			ALL DIMS IN: mm	DWG NO
INDICATIONS IN ACCORDANCE WITH ISO 10110			SHEET SIZE	A4
			SHEET	2 OF 3



1 AR COATING: VIS 0°  
R(AVG) ≤ 0,4% FROM 425-675nm @ 0° AOI

LEFT SURFACE	MATERIAL	RIGHT SURFACE
R 7,38±0,007 CV Øe 8,1 3/ 3 (0,5) λ=632,8 nm 4/ - 5/ 40 - 20 (MIL-PRF-13830B) 6/ -	GLASS N-SF10 728/284	R 73,86±0,074 CX Øe 8,1 3/ 3 (0,5) λ=632,8 nm 4/ - 5/ 40 - 20 (MIL-PRF-13830B) 6/ -

PROTECTIVE CHAMFERS AS NEEDED		FIRST ANGLE PROJECTION		
ROHS: COMPLIANT	SCALE: NONE λ = 587,6nm			
SPECIFICATIONS SUBJECT TO CHANGE WITHOUT NOTICE. DIMENSIONS ARE FOR REFERENCE ONLY			TITLE 9mm Dia, x 18mm FL, VIS 0, Inked, Achromatic Lens	
FOR INFORMATION ONLY: DO NOT MANUFACTURE PARTS TO THIS DRAWING			ALL DIMS IN: mm	DWG NO 476531NK
INDICATIONS IN ACCORDANCE WITH ISO 10110				SHEET 3 OF 3