
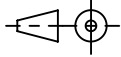
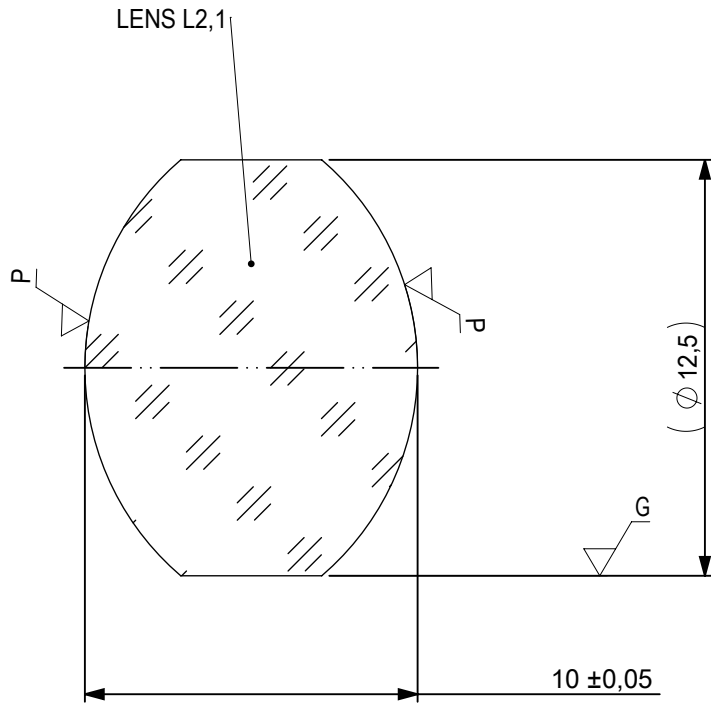



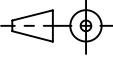
FOCAL LENGTH (EFL): 25 ±0,25
 BACK FOCAL LENGTH (BFL): 17,82

SURFACE A		SURFACE B		SURFACE C		SURFACE D	
Øe	11,5	Øe	11,5	Øe	11,5	Øe	11,5
		CEMENT: NOA 61 OR EQUIVALENT		CEMENT: NOA 61 OR EQUIVALENT			

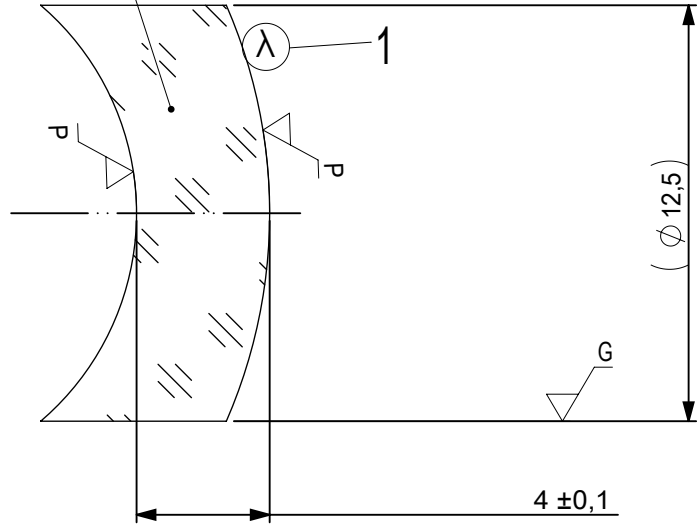
PROTECTIVE CHAMFERS AS NEEDED		FIRST ANGLE PROJECTION					
ROHS: COMPLIANT	SCALE: NONE						$\lambda = 587,6\text{nm}$
SPECIFICATIONS SUBJECT TO CHANGE WITHOUT NOTICE. DIMENSIONS ARE FOR REFERENCE ONLY				TITLE		12,5 x 25mm EFL Steinheil Triplet Achromatic Lens	
FOR INFORMATION ONLY: DO NOT MANUFACTURE PARTS TO THIS DRAWING				ALL DIMS IN:	mm	DWG NO	47675
INDICATIONS IN ACCORDANCE WITH ISO 10110							SHEET 1 OF 3



LEFT SURFACE	MATERIAL	RIGHT SURFACE
R 8,22±0,008 CX Øe 11,5 3/ 3 (0,5) λ=632,8 nm 4/ - 5/ 40 - 20 (MIL-PRF-13830B) 6/ -	GLASS N-BaSF64 704/394	R 8,22±0,008 CX Øe 11,5 3/ 3 (0,5) λ=632,8 nm 4/ - 5/ 40 - 20 (MIL-PRF-13830B) 6/ -

PROTECTIVE CHAMFERS AS NEEDED		FIRST ANGLE PROJECTION	 Edmund Optics®		
ROHS: COMPLIANT	SCALE: NONE λ = 587,6nm				
SPECIFICATIONS SUBJECT TO CHANGE WITHOUT NOTICE. DIMENSIONS ARE FOR REFERENCE ONLY			TITLE	12,5 x 25mm EFL Steinheil Triplet Achromatic Lens	
FOR INFORMATION ONLY: DO NOT MANUFACTURE PARTS TO THIS DRAWING			ALL DIMS IN: mm	DWG NO	47675
INDICATIONS IN ACCORDANCE WITH ISO 10110					SHEET 2 OF 3

LENS L2,2



1 AR COATING:

$\frac{1}{4}$ WAVE MgF₂ @ 550nm
 R(AVG) < 1,75% FROM 400-700nm (N-BK7)

LEFT SURFACE	MATERIAL	RIGHT SURFACE
R 15,65±0,016 CX Øe 11,5 3/ 3 (0,5) λ=632,8 nm 4/ - 5/ 40 - 20 (MIL-PRF-13830B) 6/ -	GLASS N-BK7 517/642	R 8,22±0,008 CV Øe 11,5 3/ 3 (0,5) λ=632,8 nm 4/ - 5/ 40 - 20 (MIL-PRF-13830B) 6/ -

PROTECTIVE CHAMFERS AS NEEDED

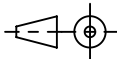
ROHS: COMPLIANT
 SCALE: NONE
 $\lambda = 587,6\text{nm}$

SPECIFICATIONS SUBJECT TO CHANGE WITHOUT NOTICE. DIMENSIONS ARE FOR REFERENCE ONLY

FOR INFORMATION ONLY: DO NOT MANUFACTURE PARTS TO THIS DRAWING

INDICATIONS IN ACCORDANCE WITH ISO 10110

FIRST ANGLE PROJECTION



ALL DIMS IN: mm



Edmund Optics®

TITLE 12,5 x 25mm EFL Steinheil Triplet Achromatic Lens

DWG NO 47675

SHEET SIZE A4
 SHEET 3 OF 3