
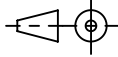
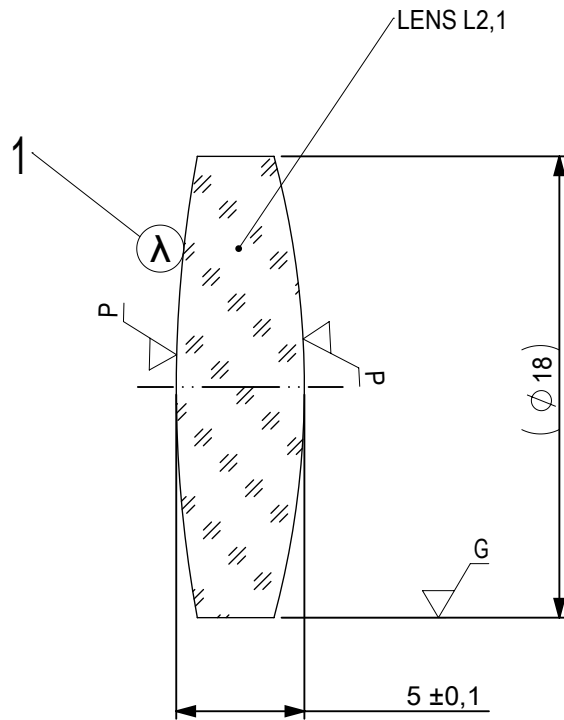


FOCAL LENGTH (EFL): 80 ±0,8  
 BACK FOCAL LENGTH (BFL): 76,52


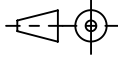
SURFACE A	SURFACE B	SURFACE C
Øe 17	Øe 17	Øe 17
CEMENT: NOA 61 OR EQUIVALENT		

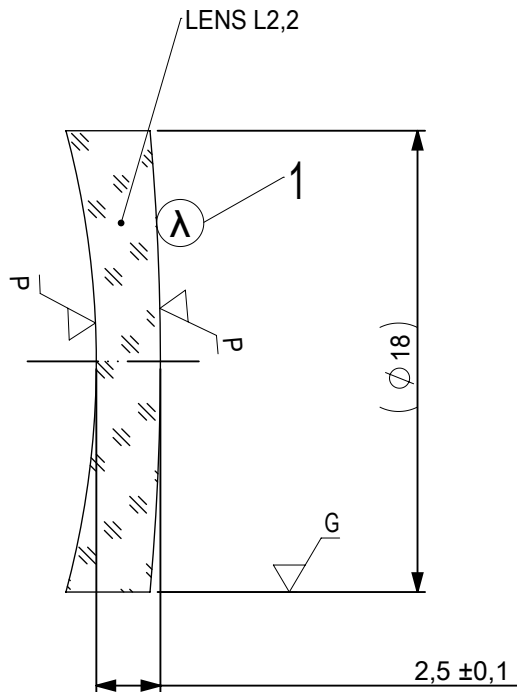
PROTECTIVE CHAMFERS AS NEEDED		FIRST ANGLE PROJECTION	 <b>Edmund Optics®</b>	
ROHS: COMPLIANT	SCALE: NONE $\lambda = 587,6\text{nm}$			
SPECIFICATIONS SUBJECT TO CHANGE WITHOUT NOTICE. DIMENSIONS ARE FOR REFERENCE ONLY			TITLE: 18mm Dia, x 80mm FL, VIS 0 Coated, Achromatic Lens	
FOR INFORMATION ONLY: DO NOT MANUFACTURE PARTS TO THIS DRAWING			ALL DIMS IN: mm	DWG NO: 47711
INDICATIONS IN ACCORDANCE WITH ISO 10110				SHEET 1 OF 3



1 AR COATING: VIS 0°  
R(AVG) ≤ 0,4% FROM 425-675nm @ 0° AOI

LEFT SURFACE	MATERIAL	RIGHT SURFACE
R 49,67±0,05 CX Øe 17 3/ 3 (0,5) λ=632,8 nm 4/ - 5/ 40 - 20 (MIL-PRF-13830B) 6/ -	GLASS N-BK7 517/642	R 34,73±0,035 CX Øe 17 3/ 3 (0,5) λ=632,8 nm 4/ - 5/ 40 - 20 (MIL-PRF-13830B) 6/ -

PROTECTIVE CHAMFERS AS NEEDED		FIRST ANGLE PROJECTION	 <b>Edmund Optics®</b>			
ROHS: COMPLIANT	SCALE: NONE λ = 587,6nm					
SPECIFICATIONS SUBJECT TO CHANGE WITHOUT NOTICE. DIMENSIONS ARE FOR REFERENCE ONLY			TITLE	18mm Dia, x 80mm FL, VIS 0 Coated, Achromatic Lens		
FOR INFORMATION ONLY: DO NOT MANUFACTURE PARTS TO THIS DRAWING			ALL DIMS IN:	mm	DWG NO	
INDICATIONS IN ACCORDANCE WITH ISO 10110				47711	SHEET SIZE <b>A4</b>	SHEET 2 OF 3



1 AR COATING: VIS 0°  
R(AVG) ≤ 0,4% FROM 425-675nm @ 0° AOI

LEFT SURFACE	MATERIAL	RIGHT SURFACE
R 34,73±0,035 CV Øe 17 3/ 3 (0,5) λ=632,8 nm 4/ - 5/ 40 - 20 (MIL-PRF-13830B) 6/ -	GLASS N-SF5 673/322	R 100,11±0,1 CX Øe 17 3/ 3 (0,5) λ=632,8 nm 4/ - 5/ 40 - 20 (MIL-PRF-13830B) 6/ -

PROTECTIVE CHAMFERS AS NEEDED

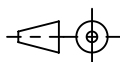
ROHS: COMPLIANT    SCALE: NONE    λ = 587,6nm

SPECIFICATIONS SUBJECT TO CHANGE WITHOUT NOTICE. DIMENSIONS ARE FOR REFERENCE ONLY

FOR INFORMATION ONLY: DO NOT MANUFACTURE PARTS TO THIS DRAWING

INDICATIONS IN ACCORDANCE WITH ISO 10110

FIRST ANGLE PROJECTION



ALL DIMS IN: mm

**EO**® Edmund Optics®

TITLE 18mm Dia, x 80mm FL, VIS 0 Coated, Achromatic Lens

DWG NO 47711

SHEET SIZE A4    SHEET 3 OF 3