
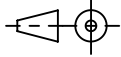
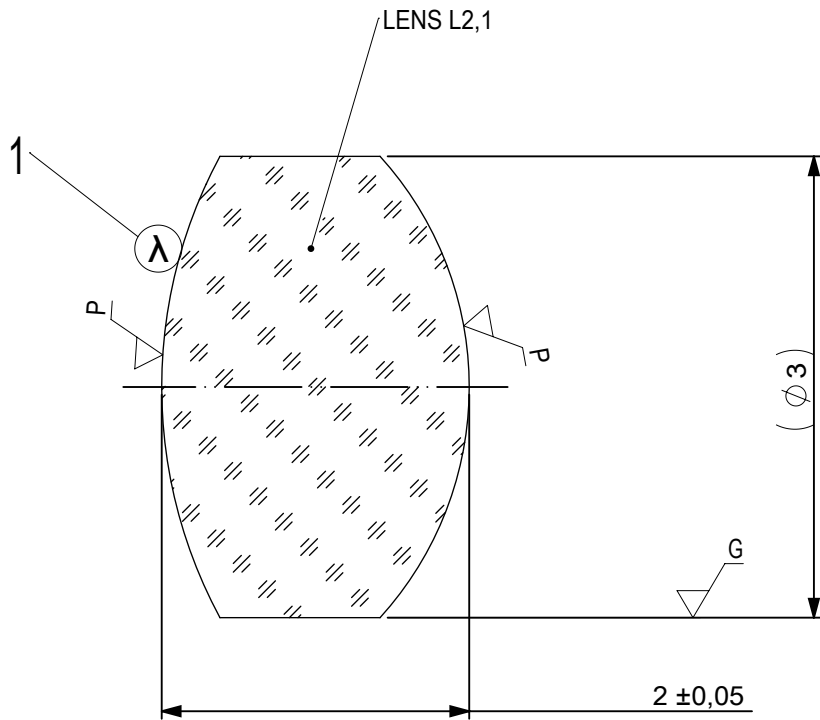


FOCAL LENGTH (EFL): $4,5 \pm 0,05$
 BACK FOCAL LENGTH (BFL): 2,99

SURFACE A	SURFACE B	SURFACE C
$\varnothing e 2,5$	$\varnothing e 2,5$	$\varnothing e 2,5$
CEMENT: NOA 61 OR EQUIVALENT		

PROTECTIVE CHAMFERS AS NEEDED		FIRST ANGLE PROJECTION	 Edmund Optics®				
ROHS: COMPLIANT	SCALE: NONE $\lambda = 587,6\text{nm}$						
SPECIFICATIONS SUBJECT TO CHANGE WITHOUT NOTICE. DIMENSIONS ARE FOR REFERENCE ONLY			TITLE	3mm Dia, x 4,5mm FL, VIS 0 Coated, Achromatic Lens			
FOR INFORMATION ONLY: DO NOT MANUFACTURE PARTS TO THIS DRAWING			ALL DIMS IN:	mm	DWG NO	49270	
INDICATIONS IN ACCORDANCE WITH ISO 10110				SHEET SIZE	A4	SHEET	1 OF 3



1 AR COATING: VIS 0°
R(AVG) ≤ 0,4% FROM 425-675nm @ 0° AOI

LEFT SURFACE	MATERIAL	RIGHT SURFACE
R 3,16±0,003 CX	GLASS N-LaK22 651/559	R 2,23±0,002 CX
Øe 2,5		Øe 2,5
3/ 3 (0,5) λ=632,8 nm		3/ 3 (0,5) λ=632,8 nm
4/ -		4/ -
5/ 20 - 10 (MIL-PRF-13830B)		5/ 20 - 10 (MIL-PRF-13830B)
6/ -		6/ -

PROTECTIVE CHAMFERS AS NEEDED

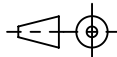
ROHS: COMPLIANT
SCALE: NONE λ = 587,6nm

SPECIFICATIONS SUBJECT TO CHANGE WITHOUT NOTICE. DIMENSIONS ARE FOR REFERENCE ONLY

FOR INFORMATION ONLY: DO NOT MANUFACTURE PARTS TO THIS DRAWING

INDICATIONS IN ACCORDANCE WITH ISO 10110

FIRST ANGLE PROJECTION



ALL DIMS IN: mm

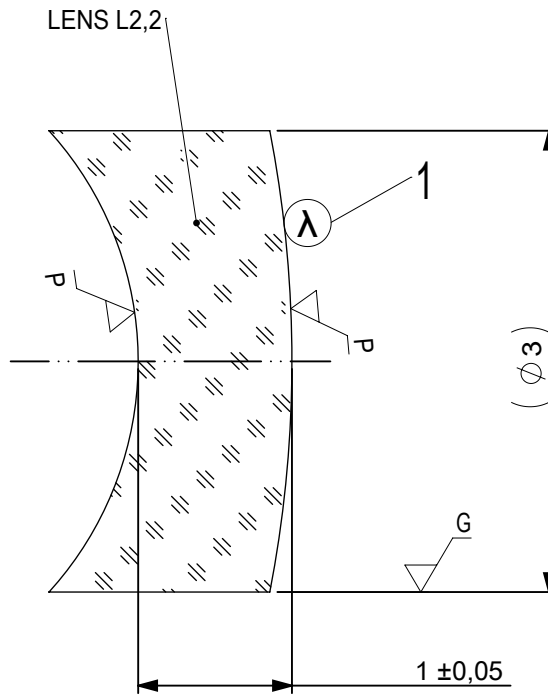


Edmund Optics®

TITLE 3mm Dia, x 4,5mm FL, VIS 0 Coated, Achromatic Lens

DWG NO 49270

SHEET SIZE A4 SHEET 2 OF 3



1 AR COATING: VIS 0°
R(AVG) ≤ 0,4% FROM 425-675nm @ 0° AOI

LEFT SURFACE	MATERIAL	RIGHT SURFACE
R 2,23±0,002 CV Øe 2,5 3/ 3 (0,5) λ=632,8 nm 4/ - 5/ 20 - 10 (MIL-PRF-13830B) 6/ -	GLASS N-SF6 805/254	R 7,88±0,008 CX Øe 2,5 3/ 3 (0,5) λ=632,8 nm 4/ - 5/ 20 - 10 (MIL-PRF-13830B) 6/ -

PROTECTIVE CHAMFERS AS NEEDED		FIRST ANGLE PROJECTION	Edmund Optics®				
ROHS: COMPLIANT	SCALE: NONE λ = 587,6nm						
SPECIFICATIONS SUBJECT TO CHANGE WITHOUT NOTICE. DIMENSIONS ARE FOR REFERENCE ONLY			TITLE	3mm Dia, x 4,5mm FL, VIS 0 Coated, Achromatic Lens			
FOR INFORMATION ONLY: DO NOT MANUFACTURE PARTS TO THIS DRAWING			ALL DIMS IN:	mm	DWG NO	49270	
INDICATIONS IN ACCORDANCE WITH ISO 10110				SHEET SIZE	A4	SHEET	3 OF 3