
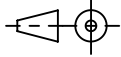
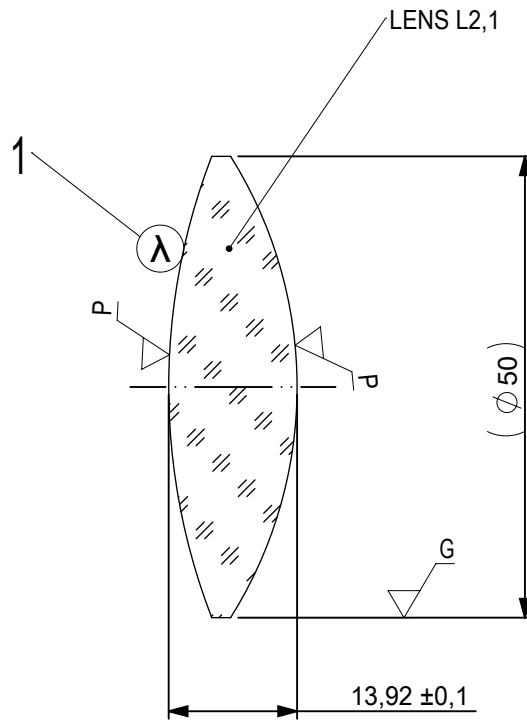


FOCAL LENGTH (EFL): 100 ±1
 BACK FOCAL LENGTH (BFL): 89,94


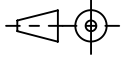
| SURFACE A | SURFACE B | SURFACE C |
|------------------------------|-----------|-----------|
| Øe 49 | Øe 49 | Øe 49 |
| CEMENT: NOA 61 OR EQUIVALENT | | |

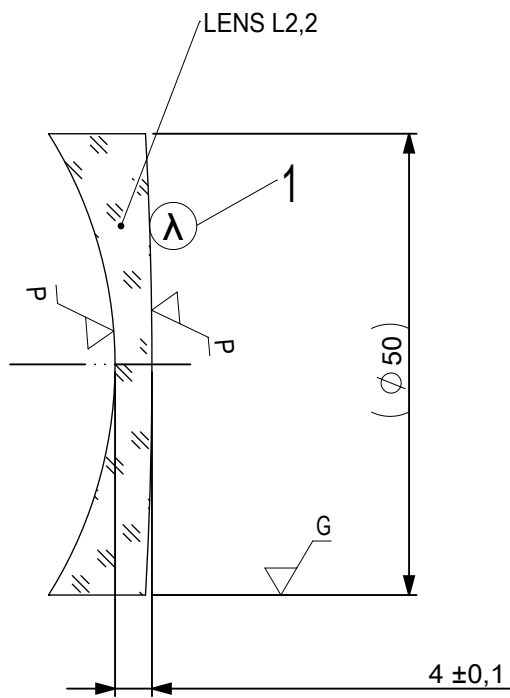
| | | | | | |
|--|--|---|---|--------------|---------------|
| PROTECTIVE CHAMFERS AS NEEDED | | FIRST ANGLE PROJECTION |  Edmund Optics® | | |
| ROHS: COMPLIANT | SCALE: NONE $\lambda = 587,6\text{nm}$ | | | | |
| SPECIFICATIONS SUBJECT TO CHANGE WITHOUT NOTICE. DIMENSIONS ARE FOR REFERENCE ONLY | |  | TITLE 50mm Dia, x 100mm FL, VIS 0 Coated, Achromatic Lens | | |
| FOR INFORMATION ONLY: DO NOT MANUFACTURE PARTS TO THIS DRAWING | | | ALL DIMS IN: mm | DWG NO 49284 | SHEET SIZE A4 |
| INDICATIONS IN ACCORDANCE WITH ISO 10110 | | | | | |



1 AR COATING: VIS 0°
R(AVG) ≤ 0,4% FROM 425-675nm @ 0° AOI

| LEFT SURFACE | MATERIAL | RIGHT SURFACE |
|---|-----------------------|---|
| R 69,28±0,069 CX Øe 49 3/ 3 (0,5) λ=632,8 nm 4/ - 5/ 40 - 20 (MIL-PRF-13830B) 6/ - | GLASS N-BaF10 670/472 | R 46,95±0,047 CX Øe 49 3/ 3 (0,5) λ=632,8 nm 4/ - 5/ 40 - 20 (MIL-PRF-13830B) 6/ - |

| | | | | | |
|--|-------------------------|---|---|---|--------------|
| PROTECTIVE CHAMFERS AS NEEDED | | FIRST ANGLE PROJECTION |  Edmund Optics® | | |
| ROHS: COMPLIANT | SCALE: NONE λ = 587,6nm | | | | |
| SPECIFICATIONS SUBJECT TO CHANGE WITHOUT NOTICE. DIMENSIONS ARE FOR REFERENCE ONLY | |  | TITLE | 50mm Dia, x 100mm FL, VIS 0 Coated, Achromatic Lens | |
| FOR INFORMATION ONLY: DO NOT MANUFACTURE PARTS TO THIS DRAWING | | | ALL DIMS IN: | DWG NO | 49284 |
| INDICATIONS IN ACCORDANCE WITH ISO 10110 | | mm | | | SHEET 2 OF 3 |



1 AR COATING: VIS 0°
R(AVG) ≤ 0,4% FROM 425-675nm @ 0° AOI

| LEFT SURFACE | MATERIAL | RIGHT SURFACE |
|-----------------------------|----------------------|-----------------------------|
| R 46,95±0,047 CV | GLASS N-SF10 728/284 | R 446,01±0,446 CX |
| Øe 49 | | Øe 49 |
| 3/ 3 (0,5) λ=632,8 nm | | 3/ 3 (0,5) λ=632,8 nm |
| 4/ - | | 4/ - |
| 5/ 40 - 20 (MIL-PRF-13830B) | | 5/ 40 - 20 (MIL-PRF-13830B) |
| 6/ - | | 6/ - |

| | | | | | |
|--|-------------------------|------------------------|-----------------------|---|--------------|
| PROTECTIVE CHAMFERS AS NEEDED | | FIRST ANGLE PROJECTION | Edmund Optics® | | |
| ROHS: COMPLIANT | SCALE: NONE λ = 587,6nm | | | | |
| SPECIFICATIONS SUBJECT TO CHANGE WITHOUT NOTICE. DIMENSIONS ARE FOR REFERENCE ONLY | | | TITLE | 50mm Dia, x 100mm FL, VIS 0 Coated, Achromatic Lens | |
| FOR INFORMATION ONLY: DO NOT MANUFACTURE PARTS TO THIS DRAWING | | | ALL DIMS IN: | DWG NO | 49284 |
| INDICATIONS IN ACCORDANCE WITH ISO 10110 | | mm | | | SHEET 3 OF 3 |