
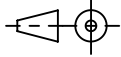
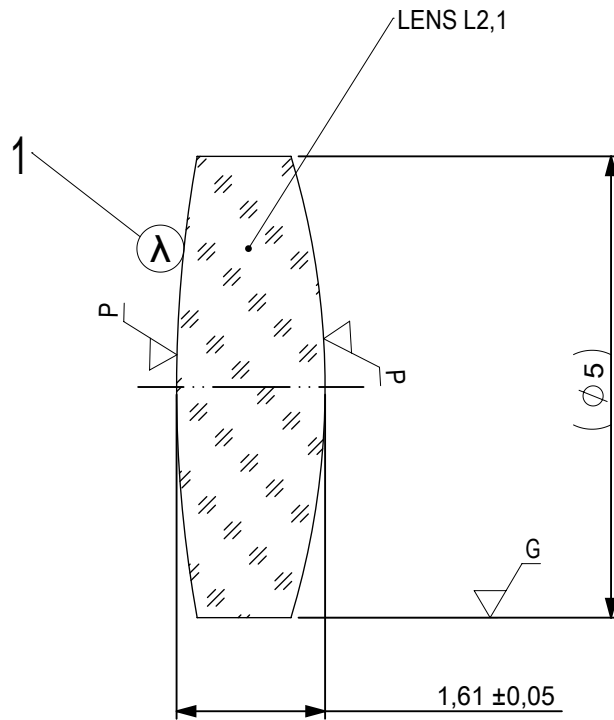


FOCAL LENGTH (EFL): $20 \pm 0,2$
 BACK FOCAL LENGTH (BFL): 18,6

| SURFACE A | SURFACE B | SURFACE C |
|------------------------------|---------------------|---------------------|
| $\varnothing e 4,5$ | $\varnothing e 4,5$ | $\varnothing e 4,5$ |
| CEMENT: NOA 61 OR EQUIVALENT | | |

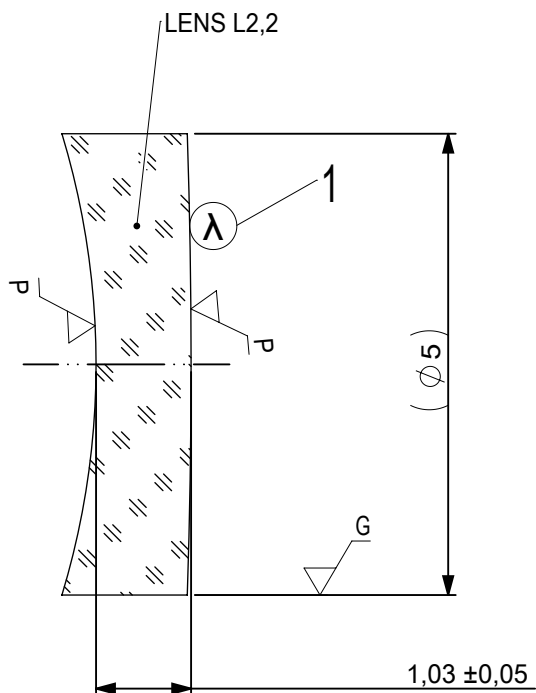
| | | | | |
|--|--|---|---|--------------|
| PROTECTIVE CHAMFERS AS NEEDED | | FIRST ANGLE PROJECTION |  Edmund Optics® | |
| ROHS: COMPLIANT | SCALE: NONE $\lambda = 587,6\text{nm}$ | | | |
| SPECIFICATIONS SUBJECT TO CHANGE WITHOUT NOTICE. DIMENSIONS ARE FOR REFERENCE ONLY | |  | TITLE 5mm Dia, x 20mm FL, VIS-NIR Coated, Achromatic Lens | |
| FOR INFORMATION ONLY: DO NOT MANUFACTURE PARTS TO THIS DRAWING | | | ALL DIMS IN: mm | DWG NO 49302 |
| INDICATIONS IN ACCORDANCE WITH ISO 10110 | | | | SHEET 1 OF 3 |



- 1 AR COATING: VIS-NIR
 R(ABS) ≤ 0,25% AT 880nm @ 0° AOI
 R(AVG) ≤ 1,25% FROM 400-870nm @ 0° AOI
 R(AVG) ≤ 1,25% FROM 890-1000nm @ 0° AOI

| LEFT SURFACE | MATERIAL | RIGHT SURFACE |
|--|-----------------------|---|
| R 14,11±0,014 CX Øe 4,5 3/ 3 (0,5) λ=632,8 nm 4/ - 5/ 40 - 20 (MIL-PRF-13830B) 6/ - | GLASS N-BaF10 670/472 | R 8,63±0,009 CX Øe 4,5 3/ 3 (0,5) λ=632,8 nm 4/ - 5/ 40 - 20 (MIL-PRF-13830B) 6/ - |

| | | | | | | |
|--|-------------------------|------------------------|-----------------------|---|---------------|--------------|
| PROTECTIVE CHAMFERS AS NEEDED | | FIRST ANGLE PROJECTION | Edmund Optics® | | | |
| ROHS: COMPLIANT | SCALE: NONE λ = 587,6nm | | | | | |
| SPECIFICATIONS SUBJECT TO CHANGE WITHOUT NOTICE. DIMENSIONS ARE FOR REFERENCE ONLY | | | TITLE | 5mm Dia, x 20mm FL, VIS-NIR Coated, Achromatic Lens | | |
| FOR INFORMATION ONLY: DO NOT MANUFACTURE PARTS TO THIS DRAWING | | | ALL DIMS IN: | mm | DWG NO | |
| INDICATIONS IN ACCORDANCE WITH ISO 10110 | | | | 49302 | SHEET SIZE A4 | SHEET 2 OF 3 |



- 1 AR COATING: VIS-NIR
 R(ABS) ≤ 0,25% AT 880nm @ 0° AOI
 R(AVG) ≤ 1,25% FROM 400-870nm @ 0° AOI
 R(AVG) ≤ 1,25% FROM 890-1000nm @ 0° AOI

| LEFT SURFACE | MATERIAL | RIGHT SURFACE |
|-----------------------------|----------------------|-----------------------------|
| R 8,63±0,009 CV | GLASS N-SF10 728/284 | R 75,59±0,076 CX |
| Øe 4,5 | | Øe 4,5 |
| 3/ 3 (0,5) λ=632,8 nm | | 3/ 3 (0,5) λ=632,8 nm |
| 4/ - | | 4/ - |
| 5/ 40 - 20 (MIL-PRF-13830B) | | 5/ 40 - 20 (MIL-PRF-13830B) |
| 6/ - | | 6/ - |

PROTECTIVE CHAMFERS AS NEEDED

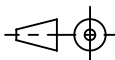
ROHS: COMPLIANT
 SCALE: NONE λ = 587,6nm

SPECIFICATIONS SUBJECT TO CHANGE WITHOUT NOTICE. DIMENSIONS ARE FOR REFERENCE ONLY

FOR INFORMATION ONLY: DO NOT MANUFACTURE PARTS TO THIS DRAWING

INDICATIONS IN ACCORDANCE WITH ISO 10110

FIRST ANGLE PROJECTION



ALL DIMS IN: mm



Edmund Optics®

TITLE 5mm Dia, x 20mm FL, VIS-NIR Coated, Achromatic Lens

DWG NO 49302

SHEET SIZE A4 SHEET 3 OF 3