
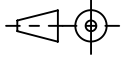
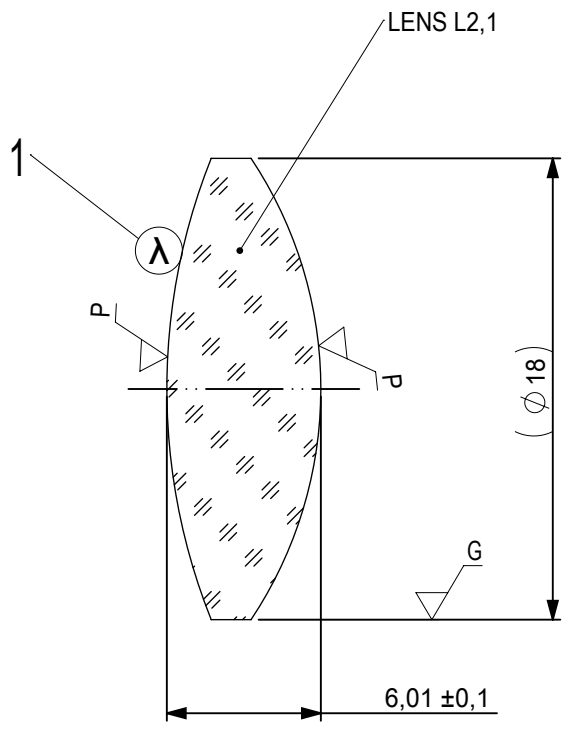


FOCAL LENGTH (EFL): $35 \pm 0,35$
 BACK FOCAL LENGTH (BFL): $30,72$

1 BLACKENED SURFACE

| SURFACE A | SURFACE B | SURFACE C |
|------------------------------|--------------------|--------------------|
| $\varnothing e 17$ | $\varnothing e 17$ | $\varnothing e 17$ |
| CEMENT: NOA 61 OR EQUIVALENT | | |

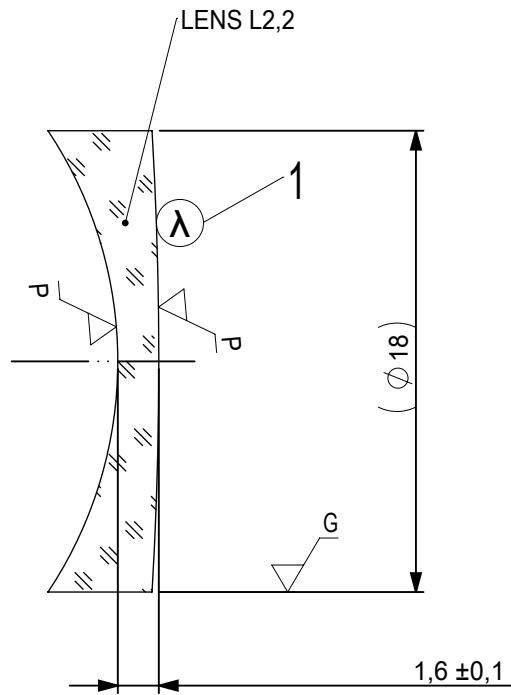
| | | | | | |
|--|--|---|--|--|--------------|
| PROTECTIVE CHAMFERS AS NEEDED | | FIRST ANGLE PROJECTION |  | | |
| ROHS: COMPLIANT | SCALE: NONE $\lambda = 587,6\text{nm}$ | | | | |
| SPECIFICATIONS SUBJECT TO CHANGE WITHOUT NOTICE. DIMENSIONS ARE FOR REFERENCE ONLY | |  | TITLE | 18mm Dia, x 35mm FL, VIS-NIR, Inked, Achromatic Lens | |
| FOR INFORMATION ONLY: DO NOT MANUFACTURE PARTS TO THIS DRAWING | | | ALL DIMS IN: mm | DWG NO | 49341INK |
| INDICATIONS IN ACCORDANCE WITH ISO 10110 | | | | | SHEET 1 OF 3 |



1 AR COATING: VIS-NIR
 R(ABS) ≤ 0,25% AT 880nm @ 0° AOI
 R(AVG) ≤ 1,25% FROM 400-870nm @ 0° AOI
 R(AVG) ≤ 1,25% FROM 890-1000nm @ 0° AOI

| LEFT SURFACE | MATERIAL | RIGHT SURFACE |
|---|-----------------------|---|
| R 24,26±0,024 CX Øe 17 3/ 3 (0,5) λ=632,8 nm 4/ - 5/ 40 - 20 (MIL-PRF-13830B) 6/ - | GLASS N-BaF10 670/472 | R 16,23±0,016 CX Øe 17 3/ 3 (0,5) λ=632,8 nm 4/ - 5/ 40 - 20 (MIL-PRF-13830B) 6/ - |

| | | | | | |
|--|-------------------------|------------------------|----------------|--|--------------|
| PROTECTIVE CHAMFERS AS NEEDED | | FIRST ANGLE PROJECTION | Edmund Optics® | | |
| ROHS: COMPLIANT | SCALE: NONE λ = 587,6nm | | | | |
| SPECIFICATIONS SUBJECT TO CHANGE WITHOUT NOTICE. DIMENSIONS ARE FOR REFERENCE ONLY | | | TITLE | 18mm Dia, x 35mm FL, VIS-NIR, Inked, Achromatic Lens | |
| FOR INFORMATION ONLY: DO NOT MANUFACTURE PARTS TO THIS DRAWING | | | ALL DIMS IN: | mm | DWG NO |
| INDICATIONS IN ACCORDANCE WITH ISO 10110 | | | | SHEET SIZE | A4 |
| | | | | | SHEET 2 OF 3 |



- 1 AR COATING: VIS-NIR
 R(ABS) ≤ 0,25% AT 880nm @ 0° AOI
 R(AVG) ≤ 1,25% FROM 400-870nm @ 0° AOI
 R(AVG) ≤ 1,25% FROM 890-1000nm @ 0° AOI

| LEFT SURFACE | MATERIAL | RIGHT SURFACE |
|---|----------------------|--|
| R 16,23±0,016 CV Øe 17 3/ 3 (0,5) λ=632,8 nm 4/ - 5/ 40 - 20 (MIL-PRF-13830B) 6/ - | GLASS N-SF10 728/284 | R 152,99±0,153 CX Øe 17 3/ 3 (0,5) λ=632,8 nm 4/ - 5/ 40 - 20 (MIL-PRF-13830B) 6/ - |

PROTECTIVE CHAMFERS AS NEEDED

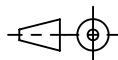
ROHS: COMPLIANT
 SCALE: NONE λ = 587,6nm

SPECIFICATIONS SUBJECT TO CHANGE WITHOUT NOTICE. DIMENSIONS ARE FOR REFERENCE ONLY

FOR INFORMATION ONLY: DO NOT MANUFACTURE PARTS TO THIS DRAWING

INDICATIONS IN ACCORDANCE WITH ISO 10110

FIRST ANGLE PROJECTION



ALL DIMS IN: mm

EO® Edmund Optics®

TITLE 18mm Dia, x 35mm FL, VIS-NIR, Inked, Achromatic Lens

DWG NO 49341INK

SHEET SIZE A4 SHEET 3 OF 3