
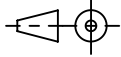
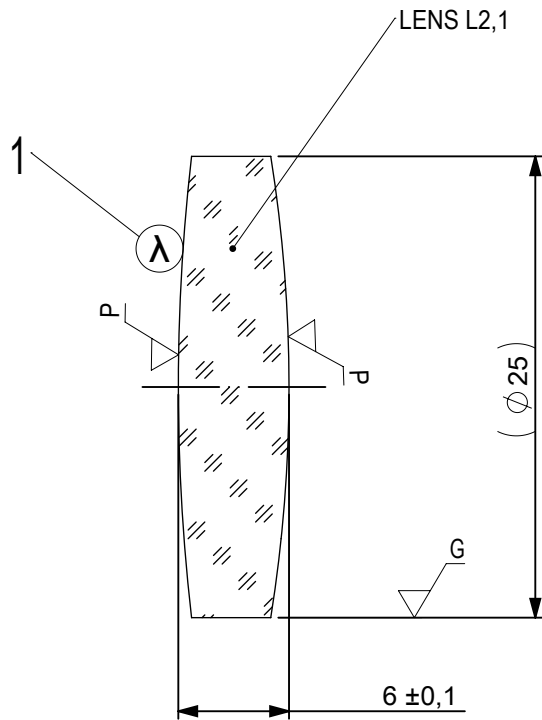


FOCAL LENGTH (EFL): $175 \pm 1,75$
 BACK FOCAL LENGTH (BFL): 170,84

| SURFACE A | SURFACE B | SURFACE C |
|------------------------------|--------------------|--------------------|
| $\varnothing e 24$ | $\varnothing e 24$ | $\varnothing e 24$ |
| CEMENT: NOA 61 OR EQUIVALENT | | |

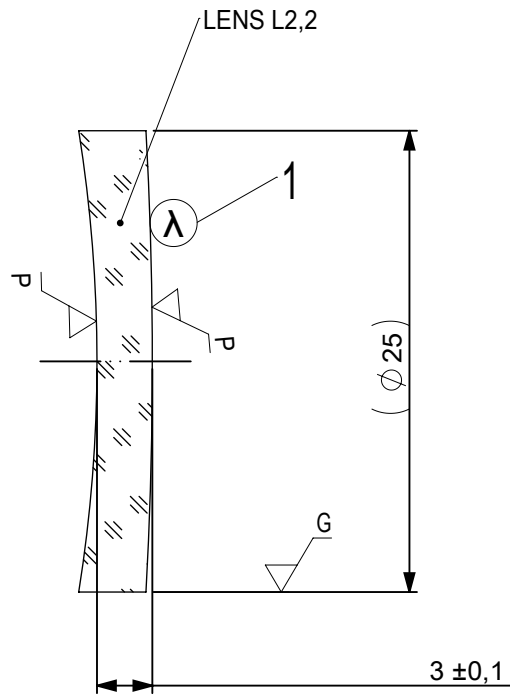
| | | | | | |
|------------------------------------------------------------------------------------|----------------------------------------|-------------------------------------------------------------------------------------|--------------------------------------------------------------------------------------|--------------|---------------|
| PROTECTIVE CHAMFERS AS NEEDED | | FIRST ANGLE PROJECTION |  | | |
| ROHS: COMPLIANT | SCALE: NONE $\lambda = 587,6\text{nm}$ | | | | |
| SPECIFICATIONS SUBJECT TO CHANGE WITHOUT NOTICE. DIMENSIONS ARE FOR REFERENCE ONLY | |  | TITLE 25mm Dia, x 175mm FL, VIS-NIR Coated, Achromatic Lens | | |
| FOR INFORMATION ONLY: DO NOT MANUFACTURE PARTS TO THIS DRAWING | | | ALL DIMS IN: mm | DWG NO 49363 | SHEET SIZE A4 |
| INDICATIONS IN ACCORDANCE WITH ISO 10110 | | | | | |



- 1 AR COATING: VIS-NIR
 R(ABS) ≤ 0,25% AT 880nm @ 0° AOI
 R(AVG) ≤ 1,25% FROM 400-870nm @ 0° AOI
 R(AVG) ≤ 1,25% FROM 890-1000nm @ 0° AOI


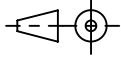
| LEFT SURFACE | MATERIAL | RIGHT SURFACE |
|----------------------------------------------------------------------------------------------------|---------------------|---------------------------------------------------------------------------------------------------|
| R 109,16±0,109 CX Øe 24 3/ 3 (0,5) λ=632,8 nm 4/ - 5/ 40 - 20 (MIL-PRF-13830B) 6/ - | GLASS N-BK7 517/642 | R 79,38±0,079 CX Øe 24 3/ 3 (0,5) λ=632,8 nm 4/ - 5/ 40 - 20 (MIL-PRF-13830B) 6/ - |

| | | | | | | |
|------------------------------------------------------------------------------------|-------------------------|------------------------|----------------|-------------------------------------------------------|---------------|--------------|
| PROTECTIVE CHAMFERS AS NEEDED | | FIRST ANGLE PROJECTION | Edmund Optics® | | | |
| ROHS: COMPLIANT | SCALE: NONE λ = 587,6nm | | | | | |
| SPECIFICATIONS SUBJECT TO CHANGE WITHOUT NOTICE. DIMENSIONS ARE FOR REFERENCE ONLY | | | TITLE | 25mm Dia, x 175mm FL, VIS-NIR Coated, Achromatic Lens | | |
| FOR INFORMATION ONLY: DO NOT MANUFACTURE PARTS TO THIS DRAWING | | | ALL DIMS IN: | mm | DWG NO | |
| INDICATIONS IN ACCORDANCE WITH ISO 10110 | | | | 49363 | SHEET SIZE A4 | SHEET 2 OF 3 |



- 1 AR COATING: VIS-NIR
 R(ABS) ≤ 0,25% AT 880nm @ 0° AOI
 R(AVG) ≤ 1,25% FROM 400-870nm @ 0° AOI
 R(AVG) ≤ 1,25% FROM 890-1000nm @ 0° AOI

| LEFT SURFACE | MATERIAL | RIGHT SURFACE |
|-----------------------------|---------------------|-----------------------------|
| R 79,38±0,079 CV | GLASS N-SF5 673/322 | R 226,03±0,226 CX |
| Øe 24 | | Øe 24 |
| 3/ 3 (0,5) λ=632,8 nm | | 3/ 3 (0,5) λ=632,8 nm |
| 4/ - | | 4/ - |
| 5/ 40 - 20 (MIL-PRF-13830B) | | 5/ 40 - 20 (MIL-PRF-13830B) |
| 6/ - | | 6/ - |

| | | | | |
|------------------------------------------------------------------------------------|-------------------------|-------------------------------------------------------------------------------------|-----------------------------------------------------------------------------------------------------------|-------------------------------------------------------|
| PROTECTIVE CHAMFERS AS NEEDED | | FIRST ANGLE PROJECTION |  Edmund Optics® | |
| ROHS: COMPLIANT | SCALE: NONE λ = 587,6nm | | | |
| SPECIFICATIONS SUBJECT TO CHANGE WITHOUT NOTICE. DIMENSIONS ARE FOR REFERENCE ONLY | |  | TITLE | 25mm Dia, x 175mm FL, VIS-NIR Coated, Achromatic Lens |
| FOR INFORMATION ONLY: DO NOT MANUFACTURE PARTS TO THIS DRAWING | | | ALL DIMS IN: mm | DWG NO |
| INDICATIONS IN ACCORDANCE WITH ISO 10110 | | | SHEET SIZE | A4 |
| | | | | SHEET 3 OF 3 |