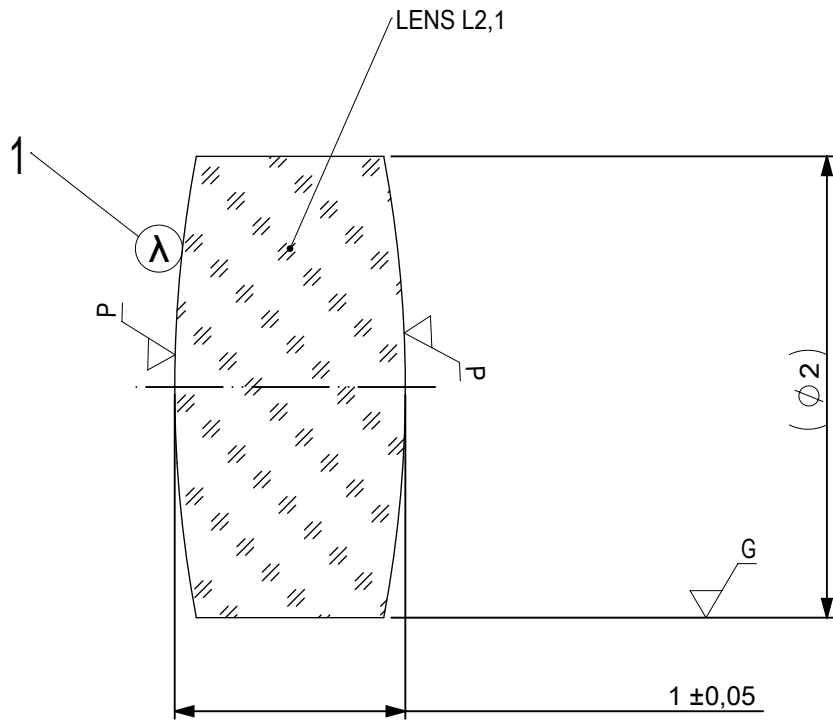


FOCAL LENGTH (EFL): $9 \pm 0,09$
 BACK FOCAL LENGTH (BFL): 8


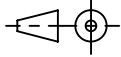
SURFACE A	SURFACE B	SURFACE C
$\varnothing e 1,5$	$\varnothing e 1,5$	$\varnothing e 1,5$
CEMENT: NOA 61 OR EQUIVALENT		

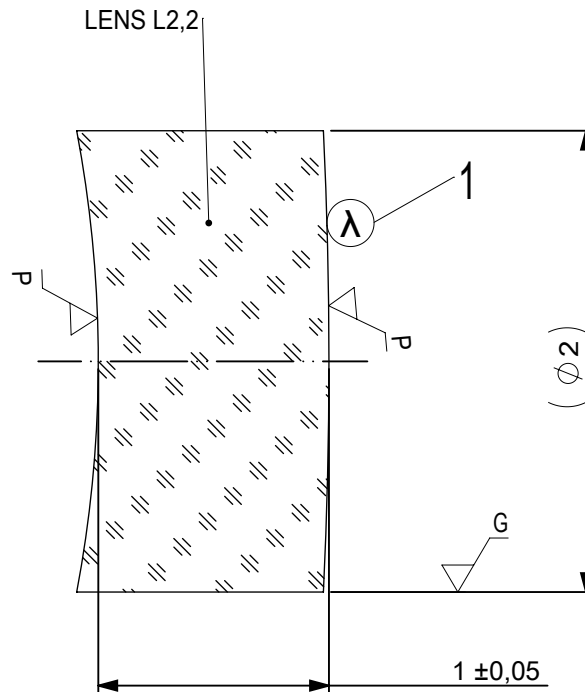
PROTECTIVE CHAMFERS AS NEEDED		FIRST ANGLE PROJECTION		Edmund Optics® TITLE: 2mm Dia, x 9mm FL, VIS-NIR Coated, Achromatic Lens	
ROHS: COMPLIANT	SCALE: NONE $\lambda = 587,6nm$				
SPECIFICATIONS SUBJECT TO CHANGE WITHOUT NOTICE. DIMENSIONS ARE FOR REFERENCE ONLY				DWG NO	83980
FOR INFORMATION ONLY: DO NOT MANUFACTURE PARTS TO THIS DRAWING				ALL DIMS IN:	mm
INDICATIONS IN ACCORDANCE WITH ISO 10110				SHEET	1 OF 3



- 1 AR COATING: VIS-NIR
 R(ABS) ≤ 0,25% AT 880nm @ 0° AOI
 R(AVG) ≤ 1,25% FROM 400-870nm @ 0° AOI
 R(AVG) ≤ 1,25% FROM 890-1000nm @ 0° AOI

LEFT SURFACE	MATERIAL	RIGHT SURFACE
R 5,38±0,005 CX Øe 1,5 3/ 3 (0,5) λ=632,8 nm 4/ - 5/ 20 - 10 (MIL-PRF-13830B) 6/ -	GLASS N-PSK53A 618/634	R 5,38±0,005 CX Øe 1,5 3/ 3 (0,5) λ=632,8 nm 4/ - 5/ 20 - 10 (MIL-PRF-13830B) 6/ -

PROTECTIVE CHAMFERS AS NEEDED		FIRST ANGLE PROJECTION	 Edmund Optics®		
ROHS: COMPLIANT	SCALE: NONE λ = 587,6nm				
SPECIFICATIONS SUBJECT TO CHANGE WITHOUT NOTICE. DIMENSIONS ARE FOR REFERENCE ONLY			TITLE 2mm Dia, x 9mm FL, VIS-NIR Coated, Achromatic Lens		
FOR INFORMATION ONLY: DO NOT MANUFACTURE PARTS TO THIS DRAWING			ALL DIMS IN: mm	DWG NO 83980	SHEET SIZE A4
INDICATIONS IN ACCORDANCE WITH ISO 10110					



- 1 AR COATING: VIS-NIR
 R(ABS) ≤ 0,25% AT 880nm @ 0° AOI
 R(AVG) ≤ 1,25% FROM 400-870nm @ 0° AOI
 R(AVG) ≤ 1,25% FROM 890-1000nm @ 0° AOI

LEFT SURFACE	MATERIAL	RIGHT SURFACE
R 5,38±0,005 CV Øe 1,5 3/ 3 (0,5) λ=632,8 nm 4/ - 5/ 20 - 10 (MIL-PRF-13830B) 6/ -	GLASS N-LaSF9 850/322	R 20,79±0,021 CX Øe 1,5 3/ 3 (0,5) λ=632,8 nm 4/ - 5/ 20 - 10 (MIL-PRF-13830B) 6/ -

PROTECTIVE CHAMFERS AS NEEDED

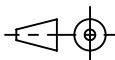
ROHS: COMPLIANT SCALE: NONE λ = 587,6nm

SPECIFICATIONS SUBJECT TO CHANGE WITHOUT NOTICE. DIMENSIONS ARE FOR REFERENCE ONLY

FOR INFORMATION ONLY: DO NOT MANUFACTURE PARTS TO THIS DRAWING

INDICATIONS IN ACCORDANCE WITH ISO 10110

FIRST ANGLE PROJECTION



ALL DIMS IN: mm

EO® Edmund Optics®

TITLE 2mm Dia, x 9mm FL, VIS-NIR Coated, Achromatic Lens

DWG NO 83980

SHEET SIZE A4 SHEET 3 OF 3