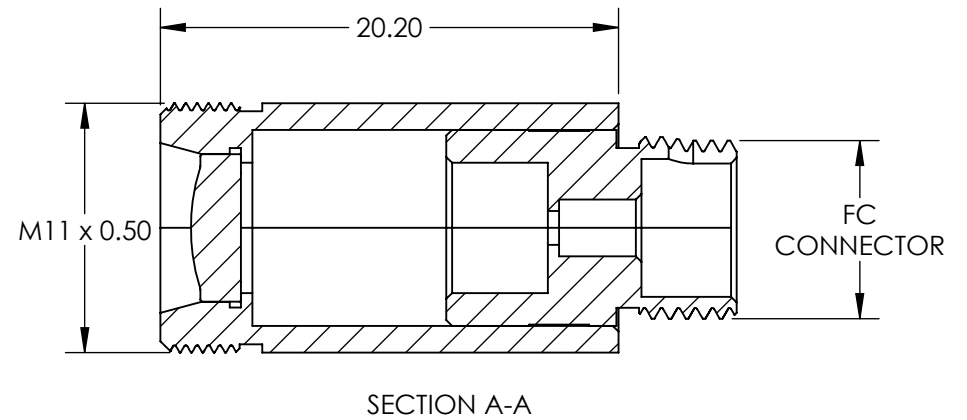
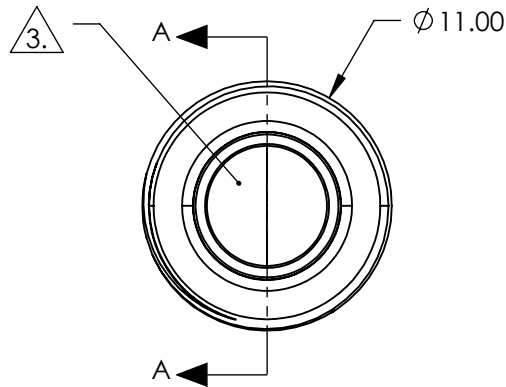
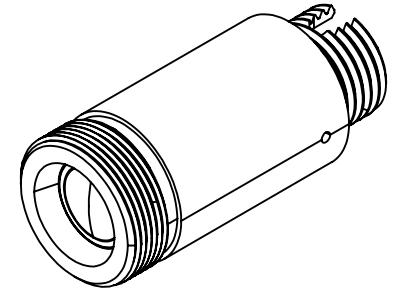


NOTES:

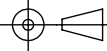
1. MATERIAL:
HOUSING: STAINLESS STEEL
LENS: D-ZK3
2. COATING (APPLY ACROSS CLEAR APERTURE)
R(AVG) <0.4% @ 1050 - 1600nm
3. CLEAR APERTURE: 5.00 mm
4. RoHS: COMPLIANT



SPECIFICATIONS SUBJECT TO CHANGE WITHOUT NOTICE
DIMENSIONS ARE FOR REFERENCE ONLY

EO® Edmund Optics®

**FOR INFORMATION ONLY:
DO NOT MANUFACTURE
PARTS TO THIS DRAWING**

THIRD ANGLE PROJECTION 		TITLE	1310nm Alignment, 0.16 NA Fiber Collimator w/ FC Connector	
ALL DIMS IN	mm	DWG NO	47226	SHEET 1 OF 1