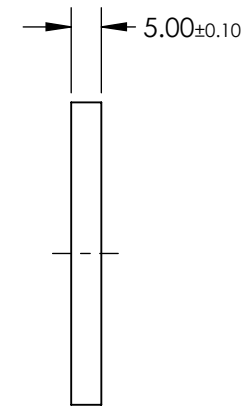
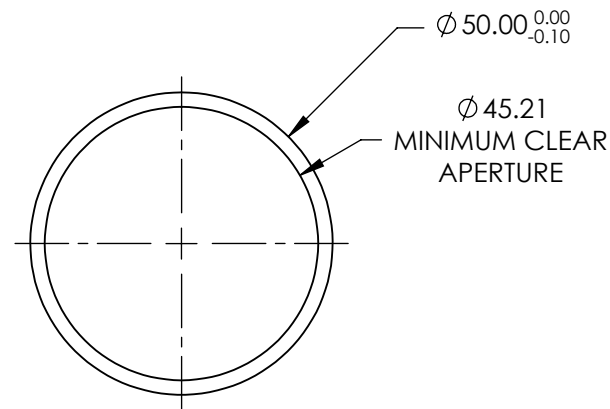
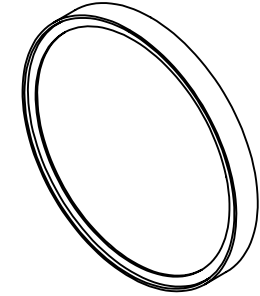


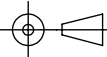
**FOR INFORMATION ONLY:  
DO NOT MANUFACTURE  
PARTS TO THIS DRAWING**



	VALUE
CENTER WAVELENGTH (CWL)	561.00 ±2.0 nm
FULL WIDTH HALF MAX (FWHM)	10.00 ±2.0 nm
MINIMUM TRANSMISSION	≥85%
BLOCKING	200 - 1200nm
SURFACE QUALITY	80-50
CONSTRUCTION	MOUNTED IN BLACK ANODIZED ALUMINUM RING
COATING TYPE	HARD COATED
DURABILITY	MIL-C-48497A, SECTION 3.4.1
ENVIRONMENTAL	MIL-STD-810F, SECTION 507.4

SPECIFICATIONS SUBJECT TO CHANGE WITHOUT NOTICE  
DIMENSIONS ARE FOR REFERENCE ONLY



THIRD ANGLE PROJECTION 	TITLE	561nm CWL, 50mm Dia., Hard Coated OD 4 10nm Bandpass Filter	
ALL DIMS IN	mm	DWG NO	12156
			SHEET 1 OF 1