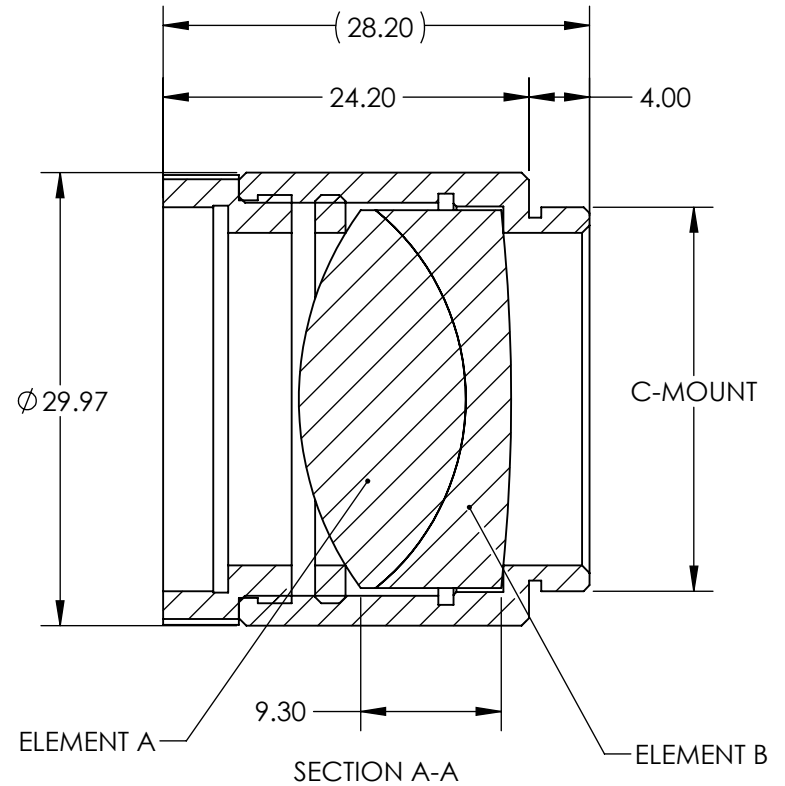
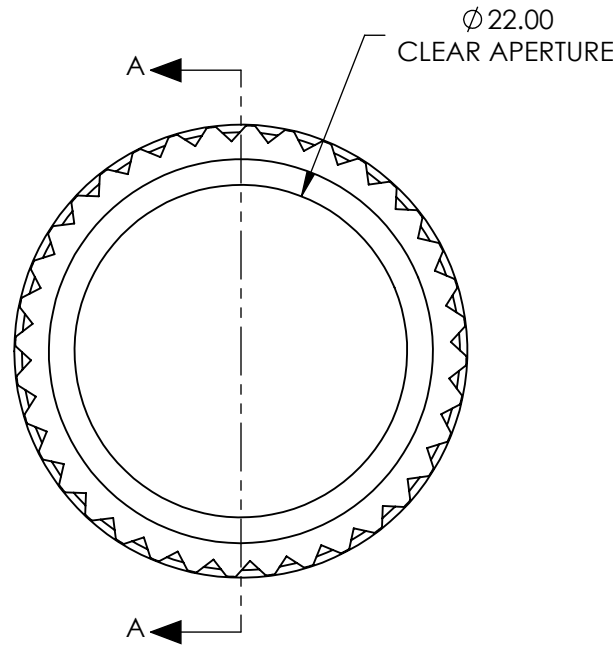


NOTES:

1. SUBSTRATE:
ELEMENT A/ ELEMENT B
N-BAF10 / N-SF10
2. ROHS COMPLIANT
3. COATING (APPLY ACROSS COATING APERTURE)
4. S1 & S4: MgF2 (400-700nm)
R(AVG) ≤1.75% @ 400 - 700nm
- S2 & S3: NONE
5. FOCAL LENGTH (EFL): 30.00 ±2 %
FOCAL LENGTH (BFL) FROM MECHANICAL HOUSING: 16.96

FOR INFORMATION ONLY:
DO NOT MANUFACTURE
PARTS TO THIS DRAWING



SPECIFICATIONS SUBJECT TO CHANGE WITHOUT NOTICE
DIMENSIONS ARE FOR REFERENCE ONLY

	ELEMENT A		ELEMENT B	
	S1	S2	S3	S4
SHAPE	CONVEX	CONVEX	CONCAVE	CONVEX
RADIUS	21.17	16.08	16.08	118.66
SURFACE QUALITY	40-20	40-20	40-20	40-20
POWER AT 632.8nm	1.5λ	1.5λ	1.5λ	1.5λ
IRREGULARITY AT 632.8nm	λ/4	λ/4	λ/4	λ/4

EO® Edmund Optics®



ALL DIMS IN

mm

TITLE

22mm CA, 30mm FL, Mounted MgF2 Coated
Achromatic Doublet Lens

DWG NO

13002

SHEET
1 OF 1