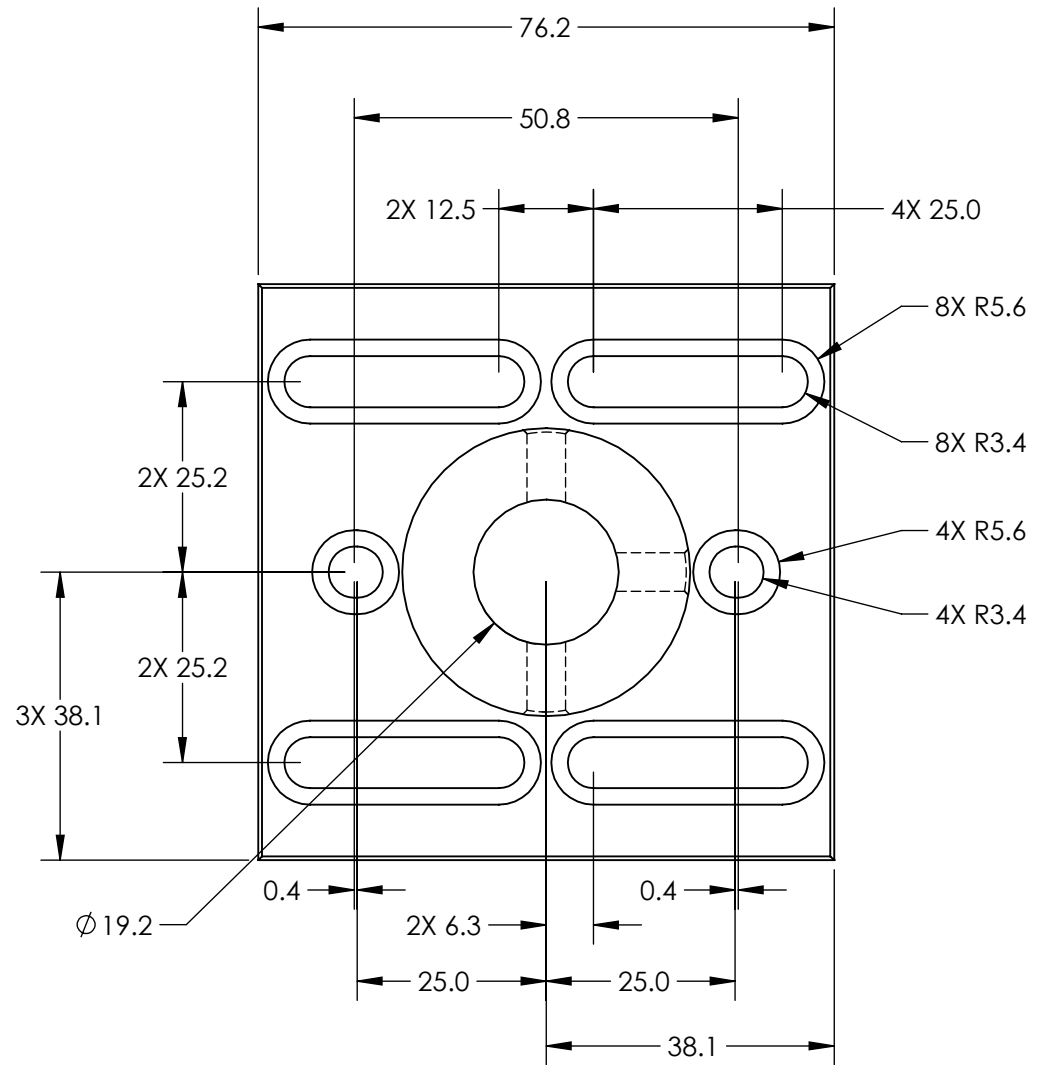
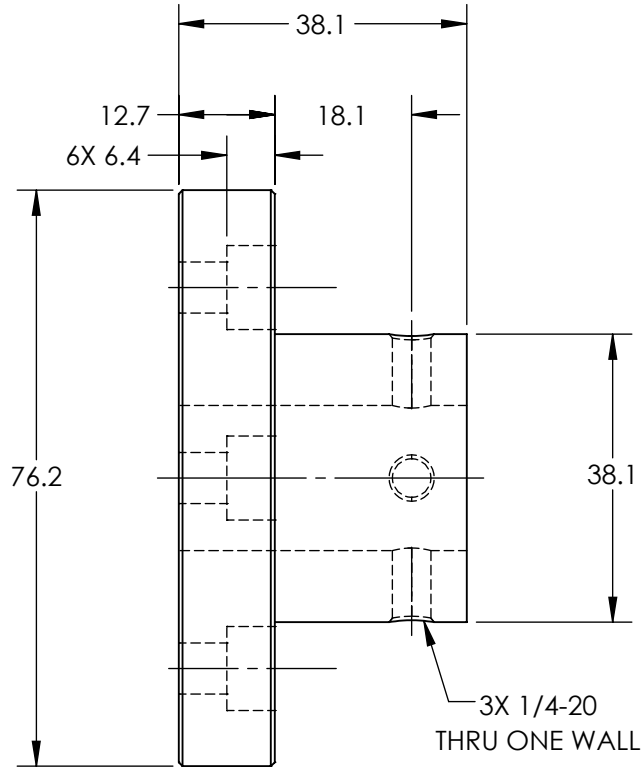


NOTES:

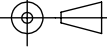
1. MATERIAL: BLACK ANODIZED ALUMINUM
2. RoHS: COMPLIANT



SPECIFICATIONS SUBJECT TO CHANGE WITHOUT NOTICE
DIMENSIONS ARE FOR REFERENCE ONLY

EO® Edmund Optics®

**FOR INFORMATION ONLY:
DO NOT MANUFACTURE
PARTS TO THIS DRAWING**

| | | | | |
|--|----|--------|---|--------------|
| THIRD ANGLE PROJECTION  | | TITLE | UNIVERSAL BREADBOARD ADAPTER, 0.75IN POST | |
| ALL DIMS IN | mm | DWG NO | 12637 | SHEET 1 OF 1 |