

NOTES:

1. SUBSTRATE:
2. SURFACE S2 TO BE PARALLEL TO SURFACE S1 TO WITHIN <5 ARCMIN
3. COATING (APPLY ACROSS COATING APERTURE)
S1: R(AVG) > 99.7% @ 700 - 900nm @ 45° AOI

GDD:

S-POLARIZATION: $0 \pm 20\text{fs}^2$ @ 700 - 900nm

P-POLARIZATION: $0 \pm 20\text{fs}^2$ @ 740 - 860nm

TOD:

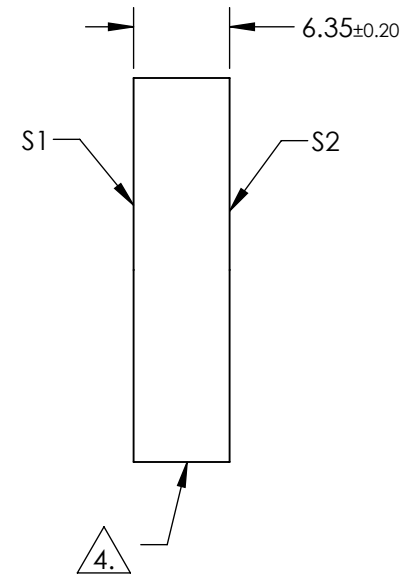
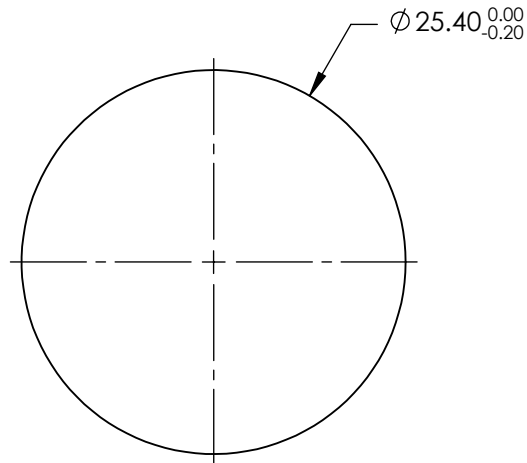
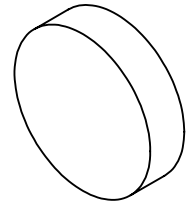
S-POLARIZATION: 0 @ 800nm

P-POLARIZATION: 0 @ 800nm

S2: NONE

4. FINE GRIND SURFACE

5. RoHS: COMPLIANT



**FOR INFORMATION ONLY:
DO NOT MANUFACTURE
PARTS TO THIS DRAWING**

SPECIFICATIONS SUBJECT TO CHANGE WITHOUT NOTICE
DIMENSIONS ARE FOR REFERENCE ONLY

	S1	S2
SHAPE	PLANO	PLANO
SURFACE QUALITY	10-5	COMMERCIAL POLISH
SURFACE FLATNESS	$\lambda/10$	N/A
CLEAR APERTURE	$\varnothing 21.84$	N/A
BEVEL	PROTECTIVE AS NEEDED	PROTECTIVE AS NEEDED



ALL DIMS IN

mm

EO® Edmund Optics®

TITLE

700 - 900nm, 25.4mm DIA., ULTRAFAST
BROADBAND LASER MIRROR

DWG NO

62766

SHEET
1 OF 1