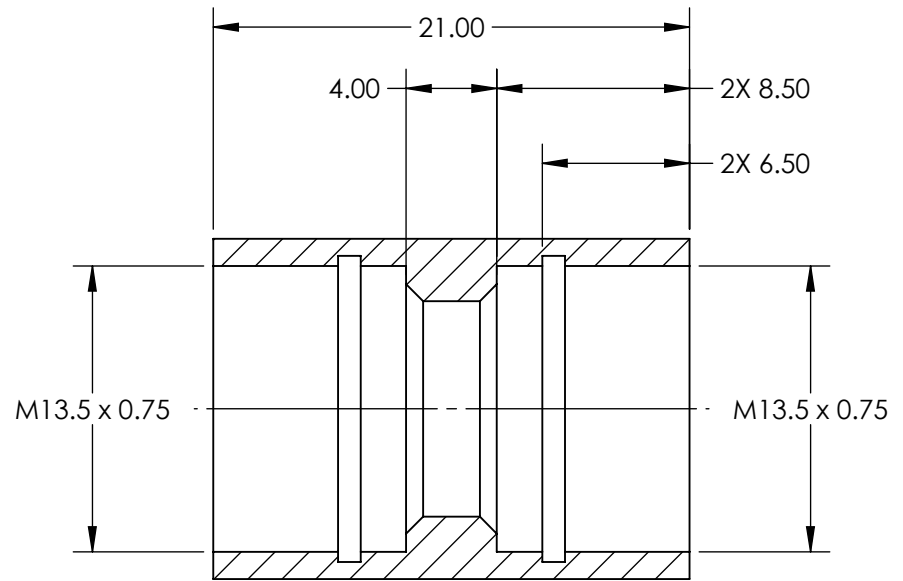
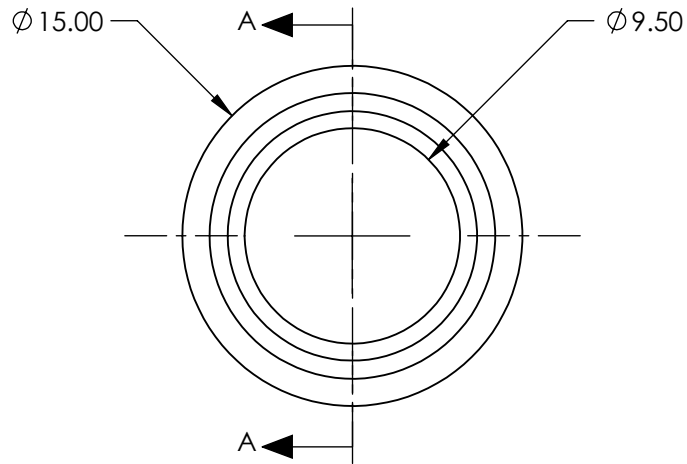


NOTES:

1. MATERIAL: BLACK ANODIZED ALUMINUM
2. RoHS: COMPLIANT



SECTION A-A

SPECIFICATIONS SUBJECT TO CHANGE WITHOUT NOTICE
 DIMENSIONS ARE FOR REFERENCE ONLY



**FOR INFORMATION ONLY:
 DO NOT MANUFACTURE
 PARTS TO THIS DRAWING**

THIRD ANGLE PROJECTION		TITLE	15mm BARREL FOR 12.5mm DIAMETER ACHROMATS	
ALL DIMS IN	mm	DWG NO	54513	SHEET 1 OF 1