

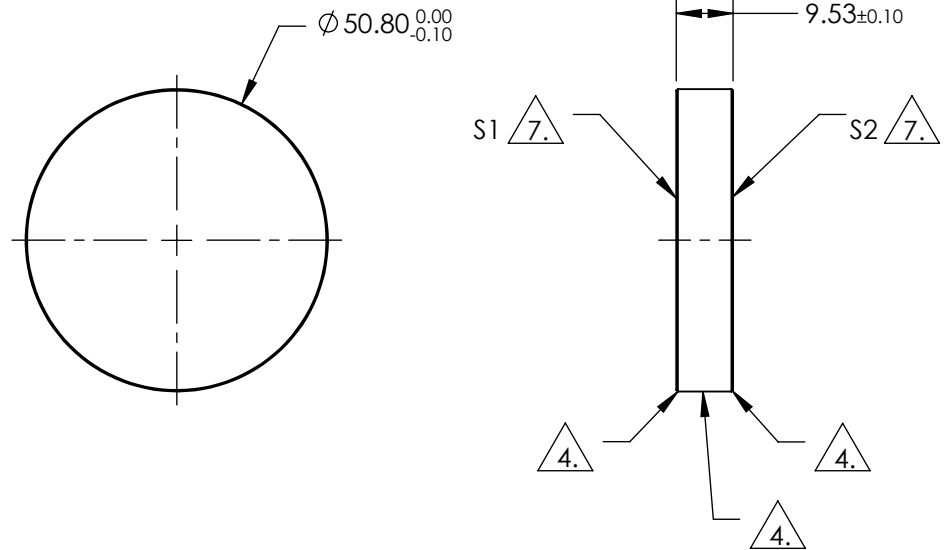


NOTES:

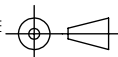
1. SUBSTRATE:  
FUSED SILICA
2. SURFACE S2 TO BE PARALLEL WITH SURFACE S1 TO WITHIN < 30 ARCSEC
3. COATING (APPLY ACROSS COATING APERTURE):  
S1: NONE  
S2: NONE
4.  COMMERCIAL POLISH
5. SURFACE QUALITY SPECIFICATIONS APPLY ACROSS CLEAR APERTURE.
6. CLEAR APERTURE AND COATING APERTURE ARE CENTERED ON SURFACES.
7.  SURFACE ROUGHNESS S1 & S2:  $\leq 1 \text{ \AA RMS}$




**FOR INFORMATION ONLY:  
DO NOT MANUFACTURE  
PARTS TO THIS DRAWING**

SPECIFICATIONS SUBJECT TO CHANGE WITHOUT NOTICE  
DIMENSIONS ARE FOR REFERENCE ONLY

	S1	S2
SHAPE	PLANO	PLANO
SURFACE FLATNESS	$\lambda/10$	$\lambda/10$
SURFACE ACCURACY AT 632.8nm (P-V)	0.05 WAVE	0.05 WAVE
SURFACE QUALITY	10-5	10-5
CLEAR APERTURE	$\phi 45.72$	$\phi 45.72$
BEVEL	PROTECTIVE AS NEEDED	PROTECTIVE AS NEEDED

THIRD ANGLE PROJECTION 

ALL DIMS IN mm

 **Edmund Optics®**

TITLE: 50.8mm Dia., 9.53mm Thick, Superpolished Laser Window Substrate

DWG NO: 11556

SHEET 1 OF 1